

Datasheet

BL5340PA Series

Version 1.3

REVISION HISTORY

Version	Date	Notes	Contributor(s)	Approver
0.1	19 Jan 2023	Preliminary Release	Raj Khatri, Dave Drogowski	Jonathan Kaye
0.2	30 Jan 2023	Updated FCC ID: "SQGBL5340PA"	Connie Lin	Dave Drogowski
0.3	14 Apr 2023	Section 6.2.4, added statement that BL5340PA MUST be used with the Laird Connectivity fork of the Nordic nRF Connect SDK (Zephyr) and link to be compliant with BL5340PA certification. Section 3.7.1 added above and corrected some links.	Greg Leach	Jonathan Kaye
1.0	17 th May 2023	Initial release. Added Bluetooth SIG information	Raj Khatri	Jonathan Kaye
1.1	8 August 2023	Added section 6.2.4.3 for CE, UKCA	Raj Khatri	Jonathan Kaye
1.2	14 Aug 2023	Added CE/UKCA approval	Dave Drogowski	Jonathan Kaye
1.3	16 Aug 2023	Updated Tape and Reel Package Information Section	Robert Gosewehr	Dave Drogowski

CONTENTS

1	Overview and Key Features.....	6
1.1	Features and Benefits.....	6
1.2	Application Areas.....	6
2	Specification.....	7
2.1	Specification Summary.....	7
3	Hardware Specifications.....	12
3.1	Block Diagram and Pin-out.....	12
3.2	Pin Definitions.....	13
3.3	Electrical Specifications.....	18
3.3.1	Absolute Maximum Ratings.....	18
3.3.2	Recommended Operating Parameters.....	18
3.4	Application Core and Network Core.....	21
3.5	Clocks.....	22
3.5.1	HFXO - 32MHz crystal oscillator and nRF53 internal load capacitor 13.5pF mandatory setting.....	22
3.5.2	LFCLK – Low Frequency clock source.....	22
3.5.2.1	LFXO - OPTIONAL 32.768kHz Crystal and Load Capacitor.....	22
3.5.3	Other Internal Clocks.....	24
3.6	BL5340PA Power Supply Options.....	25
3.6.1	Normal Voltage mode.....	26
3.6.2	VBUS pin and 4.7uF Mandatory Capacitor.....	27
3.6.3	VREQCTRL - Voltage request control (VREQCTRL OFF for BL5340PA).....	27
3.6.4	Low Power Modes.....	27
3.7	Programmability.....	28
3.7.1	BL5340PA Firmware options.....	28
4	Power Consumption.....	29
5	Peripherals.....	31
5.1	RADIO – 2.4GHz radio (RF).....	31
5.2	NFC Tag – Near field communication tag.....	32
5.2.1	Use Cases.....	32
5.2.2	NFC Antenna Coil Tuning Capacitors.....	32
5.3	UARTE – Universal asynchronous receiver/transmitter with Easy DMA.....	33
5.4	USB D – Universal Serial Bus device.....	34
5.5	SPI Master – Serial Peripheral Interface master.....	35
5.6	SPI Slave – Serial Peripheral Interface slave.....	35
5.7	QSPI – Quad Serial Peripheral interface.....	35
5.8	TWIM – I2C compatible 2-wire interface master.....	36
5.9	TWIS – I2C compatible 2-wire interface master.....	37
5.10	GPIO – General Purpose Input /Output.....	37

5.11	SAADC – Successive approximation analog-to-digital convertor	38
5.12	COMP – Comparator	39
5.13	LPCOMP – Low power comparator	39
5.14	PWM – Pulse Width Modulation	39
5.15	TIMER – Timer/counter	40
5.16	RTC – Real Timer Counter	40
5.17	TEMP – Temperature sensor	40
5.18	Security/Privacy	40
5.19	RNG – Random number generator.....	41
5.20	I2S – Inter-IC sound interface.....	41
5.21	PDM – Pulse Density Modulation interface and digital microphones.....	42
5.22	QDEC – Quadrature decoder	42
5.23	nRESET – pin reset.....	43
5.24	SWD – Two-wire interface.....	43
5.25	Peripheral Block Current Consumption.....	44
5.26	453-00068 On-Board PCB Trace Antenna Characteristics.....	49
6	Mandatory SW requirements related to hardware.....	50
6.1	32MHz crystal internal load capacitor setting of 13.5pF (nRF5340)	50
6.2	MANDATORY SW REQUIREMENTS – FRONT END MODULE (FEM) nRF21540 CONTROL AND REGULATORY LIMITS FOR MAXIMUM RF TX POWER with FIXED default FEM TX_Gain=20dB	50
6.2.1	FEM (nRF21540) to nRF5340 Wiring Inside the BL5340PA and FEM control via GPIO	50
6.2.2	Control nRF5340 P0.04 line per BL5340PA module Hardware variant.....	53
6.2.3	Antenna Selection support on 453-00076 BL5340PA module	53
6.2.4	BL5340PA Certified TX Power Per Regulatory Region and Hardware Variant.....	53
6.2.4.1	Maximum RF TX power per Hardware Variant, PHY, Channel, with FIXED FEM (nRF21540) and Default TX_Gain (FCC and ISSED)	54
6.2.4.2	Maximum RF TX power per Hardware Variant, PHY, Channel, with FIXED FEM (nRF21540) and Default TX_Gain (RCM – Australia and New Zealand)	56
6.2.4.3	Maximum RF TX power per Hardware Variant, PHY, Channel, with FIXED FEM (nRF21540) TX_Gain=index 23 decimal (~18dB) CE and UKCA sent before each Radio Transmission over SPI.....	58
6.2.5	nRF5340 network core activity and ±64MHz RF TX signal spur	59
7	Hardware Integration Suggestions.....	60
7.1	Circuit	60
7.2	PCB Layout on Host PCB - General	61
7.3	PCB Layout on Host PCB for the 453-00068.....	61
7.3.1	Antenna Keep-out on Host PCB	61
7.3.2	Antenna Keep-out and Proximity to Metal or Plastic.....	62
7.4	External Antenna Integration with the 453-00076.....	63
8	Mechanical Details.....	64
8.1	BL5340PA Mechanical Details	64

8.2	Host PCB Land Pattern and Antenna Keep-out for the 453-00068	65
9	Application Note for Surface Mount Modules	66
9.1	Introduction	66
9.2	Shipping	66
9.2.1	Tape and Reel Package Information	66
9.2.2	Carton Contents and Packaging Process	68
9.2.3	Labeling	68
9.3	Reflow Parameters	69
10	Regulatory	71
10.1	Federal Communication Commission Interference Statement	71
10.2	Industry Canada Statement	73
11	Ordering Information	75
12	Bluetooth SIG Qualification	76
12.1	Overview	76
12.1.1	Referenced Qualified Subsystems	76
12.2	Qualification Steps When Referencing Qualified Subsystems	76
13	Reliability Tests	77
	Additional Assistance	Error! Bookmark not defined.

1 OVERVIEW AND KEY FEATURES



The BL5340PA series of robust modules are based on the Nordic nRF5340 SoC. It directly targets the highest performance with the lowest power budget, whilst incorporating the Nordic nRF21540 PA/LNA for higher TX Power applications. Featuring Bluetooth 5.2 including Isochronous Channels and LE Audio, the BL5340PA supports next generation Bluetooth audio for stereo streaming and broadcast audio.

The dual core Arm® Cortex M33 microcontrollers enable you to run a low power core focused purely on wireless connectivity, with a second higher performance core targeted for the end application itself. This further extends the multi-protocol capabilities of the product: Bluetooth LE, 802.15.4 (Thread / Zigbee) and NFC. It's further enhanced with an ARM CryptoCell-312 including trusted execution, root-of-trust and secure key storage security features.

The BL5340PA series brings out all nRF5340 hardware features and capabilities including USB access, up to +18.5 dBm transmit power, from 3.0V to 3.6V supply considerations, and a true industrial operating range of -40 to 105°C. Multiple regulatory certifications enable faster time to market and reduced development risk completes Laird Connectivity's simplification of your next multi-protocol wireless design!

Note: BL5340PA hardware provides all functionality of the nRF5340 chipset used in the module design. This is a hardware datasheet only – it does not cover the software aspects of the BL5340PA. This is to acknowledge that information in this datasheet is referenced from the nRF5340 datasheet – consult for details:
https://infocenter.nordicsemi.com/topic/ps_nrf5340/keyfeatures_html5.html?cp=3_0_0

1.1 Features and Benefits

- Based on Nordic Semiconductor nRF5340, nRF21540 silicon
- Bluetooth v5.2 – Single mode
- NFC
- IEEE 802.15.4-2006 (Thread or Zigbee) radio support
- External or internal antennas
- Programmable Tx power +18.5dBm to -20 dBm
Note: See section 6.2.4 for actual radio regulator RF TX power limit allowed for each regulatory region.
- Rx sensitivity -103 dBm (1 Mbps), - 108.5 dBm (125 kbps)
- Ultra-low power consumption
- Tx – 99.7 mA peak (at +18.5 dBm, DCDC on)
(See Note 1 in the *Power Consumption* section)
- Rx: 11.6 mA peak (DCDC on)
(See Note 1 in the *Power Consumption* section)
- System ON Idle – 3.1 uA typical
- System OFF – 0.9 uA – (See Note 4 in the *Power Consumption* section)
- UART, GPIO, ADC, PWM, timers, I2C, QSPI, SPI, I2S, PDM, and USB interfaces
- FCC, ISED, CE, UKCA, and RCM certified
- Full Bluetooth Declaration ID
- Other regulatory certifications on request
- No external components required
- Industrial temperature range (-40° C to +105° C)

1.2 Application Areas

- Medical devices
- IoT Sensors
- Access Control
- Health & Wellness devices
- Location awareness
- Factory automation

2 SPECIFICATION

2.1 Specification Summary

Categories/Feature	Implementation	
Wireless Specification		
Bluetooth®	Bluetooth 5.2 – Single mode <ul style="list-style-type: none"> ▪ Isochronous Channels (LE Audio) – BT 5.2 ▪ EATT – BT5.2 ▪ LE Power Control – BT 5.2 ▪ 4x Range (CODED PHY support) – BT 5.1 ▪ 2x Speed (2M PHY support) – BT 5.1 ▪ LE Advertising Extension – BT 5.1 ▪ Diffie-Hellman based pairing (LE Secure Connections) – BT 4.2 ▪ Data Packet Length Extension – BT 4.2 ▪ Link Layer Privacy (LE Privacy 1.2) – BT 4.2 ▪ Concurrent master, slave ▪ BLE Mesh capabilities ▪ Bluetooth direction finding 	
IEEE 802.15.4-2006 PHY	2405–2480 MHz IEEE 802.15.5-2006 radio transceiver, implementing IEEE 802.15.5-2006 compliant <ul style="list-style-type: none"> ▪ 250kbps,2450MHz, O-QPSK PHY ▪ Channels 11-26. Channel 11 2405MHz and CH26 2480MHz. ▪ Clear channel assessment (CCA) ▪ Energy detection (ED) scan ▪ CRC generation 	
Nordic proprietary 1Mbps and 2Mbps modes radio (<i>not currently certified by Laird Connectivity</i>)	2402–2480 MHz Nordic proprietary 1Mbps and 2Mbps modes radio transceiver <ul style="list-style-type: none"> ▪ 1Mbps nRF proprietary mode (ideal transmitter) ▪ 2Mbps nRF proprietary mode (ideal transmitter) 	
Frequency	2.402 - 2.480 GHz for BLE (CH0 to CH39) 2.405 - 2.480 GHz for IEEE 802.15.4-2006 PHY (CH11 to CH26)	
Raw Data Rates	1 Mbps BLE (over-the-air) 2 Mbps BLE (over-the-air) 125 kbps BLE (over-the-air) 500 kbps BLE (over-the-air) 250 kbps IEEE 802.15.4 802.15.4-2006 (over-the-air) Nordic proprietary 1Mbps and 2Mbps modes (over-the-air)	
Maximum Transmit Power Setting <i>(See Note 1 in the Module Specification Notes)</i>	+18.5dBm (BLE), +21.0dBm (IEEE 802.15.4-2006)	Conducted 453-00068 (Integrated antenna)
	+16.9dBm (BLE), +21.0dBm (IEEE 802.15.4-2006)	Conducted 453-00076 (External antenna)
	See section 6.2.4 for actual radio regulator RF TX power limit allowed for each regulatory region	
Minimum Transmit Power Setting	-40dBm (nRF5340)	
Receive Sensitivity (≤37byte packet for BLE)	BLE 1 Mbps (BER=1E-3)	-103 dBm typical
	BLE 2 Mbps	-100 dBm typical

Categories/Feature	Implementation
	BLE 125 kbps -108.5 dBm typical
	BLE 500 kbps -106 dBm typical
	IEEE 802.15.4-2006 250kbps -107 dBm typical
Link Budget (conducted)	121.5 dB @ BLE 1 Mbps (TX power used is 18.5dBm)
	127.0 dB @ BLE 125 kbps (TX power used is 18.5dBm)
NFC	
	<p>Based on NFC forum specification</p> <ul style="list-style-type: none"> ▪ 13.56 MHz ▪ Data rate 106 kbps ▪ NFC Type2 and Type 4 emulation <p>Modes of Operation:</p> <ul style="list-style-type: none"> ▪ Disable ▪ Sense ▪ Activated <p>Use Cases:</p> <ul style="list-style-type: none"> ▪ Touch-to-Pair with NFC ▪ NFC enabled Out-of-Band Pairing
NFC-A Listen mode compliant	
System Wake-On-Field function	Proximity Detection

Host Interfaces and Peripherals	Applications Core (High Performance)	Network Core (ultra-low power)
Total	40 x multifunction I/O lines	
Two co-processors	Arm Cortex-M33 with DSP, FPU, TrustZone support. 1024kB Flash 512kB RAM 8kB 2-way associative cache 128 and 64MHz clock Uses voltage and clock frequency scaling	Arm Cortex-M33 256kB Flash 64kB RAM 2kB instruction cache 64MHz clock
UART	4 x UART (with CTS, RTS)	1 x UART (with CTS, RTS)
USB	1 x USB 2.0 FS (Full Speed, 12Mbps)	-
GPIO	Up to 40 28 x GPIOs on P0.00-P0.03, P0.05 to P0.31 11 x GPIOs on P1.02=P1.03, P1.06 to P1.15 With configurable I/O direction, O/P drive strength (standard 0.5 mA or high 3mA/5 mA), Pull-up /pull-down Input buffer disconnect	

Host Interfaces and Peripherals	Applications Core (High Performance)	Network Core (ultra-low power)
ADC (200kbps)	Seven 8/10/12-bit channels on AIN0-AIN7 or VDD or VDDH/5 14-bit resolution with oversampling AIN0-AIN7 Configurable reference internal reference 0.6V or external reference VDD/4 Configurable pre-scaling of 4, 2, 1, 1/2, 1/3, 1/4, 1/5 1/6 Configurable acquisition time 3uS, 5uS, 10uS (default), 15uS, 20uS, 40uS. One-shot mode or Burst mode Scan mode for multiple channels Single ended or Differential or not connected	-
COMP	1 x COMP (comparator)	-
LPCOMP	1 x LPCOMP (low power comparator)	-
High-Speed SPI	1 x High-speed SPI (32Mbps, SPIM4) master or slave with Easy DMA on dedicated pins	-
SPI	4 x SPI (up to 16Mbps) master or slave with Easy DMA Slave is up to 8Mbps	1 x SPI master or slave with Easy DMA Slave is up to 8Mbps
High-Speed TWI (I2C)	1 x High-speed TWI (1Mbps) master or slave with Easy DMA on dedicated pins	1 x High-speed TWI (1Mbps) master or slave with Easy DMA on dedicated pins
TWI (I2C)	3 x TWI (up to 400kps, 200kbps, 100kbps) master or slave with Easy DMA	1 x TWI (up to 400kps, 200kbps, 100kbps) master or slave with Easy DMA
QSPI	1 x QSPI interface (6 to 96MHz configurable clock frequency) for communicating with external flash memory. XIP (Execution in Place) capability.	-
PWM	4 x PWM (pulse width modulation) units with Easy DMA	-
QDEC	2 x QDEC (Quadrature decoder)	-
I2S	1 x I2S (Inter-IC sound interface)	-
PDM	1 x PDM (Pulse code modulation interface) for digital microphones	-
TIMER	3 x Timer (32bit)	3 x Timer (32bit)
RTC	2 x RTC (24bit)	2 x RTC
WDT	2 x WDT (Watchdog timer)	2 x WDT (Watchdog timer)
EGU	6 x EGU (Event generator unit)	1 x EGU (Event generator unit)
RNG	-	1 x RNG (random number generator)
TEMP	-	1 x Temperature sensor Temperature range equal to operating temperature range
ECB	-	1 x ECB (AES electronic codebook mode encryption)

Host Interfaces and Peripherals	Applications Core (High Performance)	Network Core (ultra-low power)
AAR	-	1 x AAR (Accelerated address resolver)
CCM	-	1 x CCM (AES CCM mode encryption)
RSSI	-	1 x RSSI (Received Signal Strength Detector), 1dB resolution. ±2 dB accuracy (valid over -103 to -33 dBm) added 13dB FEM RX LNA gain.

Optional (External to the BL5340PA module)

External optional 32.768 kHz crystal	Not needed for normal radio operation. Optionally, connect +/-20ppm accuracy crystal for more accurate protocol timing. Fit associated load capacitor for crystal or use nRF53 internal load capacitor, which is configurable as either 6pF, 7pF or 9pF on pins XL1, XL2.
--------------------------------------	--

Programmability

Zephyr RTOS	Via SWD (JTAG) 2 wire interface
Nordic nRFConnect	Via SWD (JTAG) 2 wire interface

Supply Voltage

VDD and VDD_HV	Normal voltage mode 3.0V- 3.6 V – Internal DCDC converter or LDO MUST connect external supply (3V-3.6V) to BOTH VDD and VDD_HV pins
----------------	--

Power Consumption

Active Modes Peak Current (for maximum BLE Tx power +18.5 dBm)	99.7 mA peak Tx (with DCDC)
maximum IEEE 802.15.4-2006 Tx power +21.0 dBm – Radio only, running radio test FW	133.1 mA peak Tx (with DCDC)

Active Modes Peak Current (for Tx power -20 dBm) – Radio only, radio test FW	39.9 mA peak Tx (with DCDC)
--	-----------------------------

Active Modes Average Current	Depends on many factors, see section Power Consumption
------------------------------	--

Ultra-low Power Modes	System ON Idle	3.1 uA (wake on any event, full 512kB RAM retention)
	System OFF	0.9 uA (wake on reset)

Antenna Options

Internal	Printed PCB monopole antenna – on-board (453-00068 variant)
External	Connection via <i>on module</i> IPEX MHF4 – 453-00076 variant (IPEX MHF4 RF connector) See the Regulatory section and Regulatory Information Guide for FCC, ISED and RCM. The certified list of external antennas is listed in External Antenna Integration with the 453-00076 section.

Physical	
Dimensions	21.0 mm x 10 mm x 2.55 mm Pad Pitch – 0.8 mm Pad Type – Three rows of pads (LGA - Land Grid Array) plus row of GND pads.
Weight	<1 gram
Environmental	
Operating	-40 °C to +105 °C
Storage	-40 °C to +105 °C
Miscellaneous	
Lead Free	Lead-free and RoHS compliant
Warranty	One-Year Warranty
Development Tools	
Development Kit	Development kit per module SKU (453-00068-K1 and 453-00076-K1 respectively)
Approvals	
Bluetooth®	Full Bluetooth SIG Declaration ID
FCC/ISED/CE/UKCA/RCM	All BL5340PA Series

Module Specification Notes:

- Note 1** **MANDATORY.** See section 6.2.4 for actual radio regulatory RF TX power limit allowed for each regulatory region per radio PHY per channel per BL5340PA hardware variant.
- BL5340PA is regulatory certified using the nRF21540 Front End module default FIXED TX_gain=PAOUT_PROD=20dB±0.5dB programmed by Nordic into nRF21540 chip by chip and BL5340PA customer must NOT change this, otherwise will invalidate certifications.
- BL5340PA is regulatory certified with nRF5340 VREQCTRL turned OFF and BL5340PA customer must NOT change this, otherwise will invalidate certifications.
- Compared to CH11(2405MHz)-CH25(2475MHz, the CH26 (2480MHz) IEEE 802.15.4:2006 RF TX power MUST be reduced to a lower value to pass FCC/ISED/NCC Band Edge emissions limit.

3 HARDWARE SPECIFICATIONS

3.1 Block Diagram and Pin-out

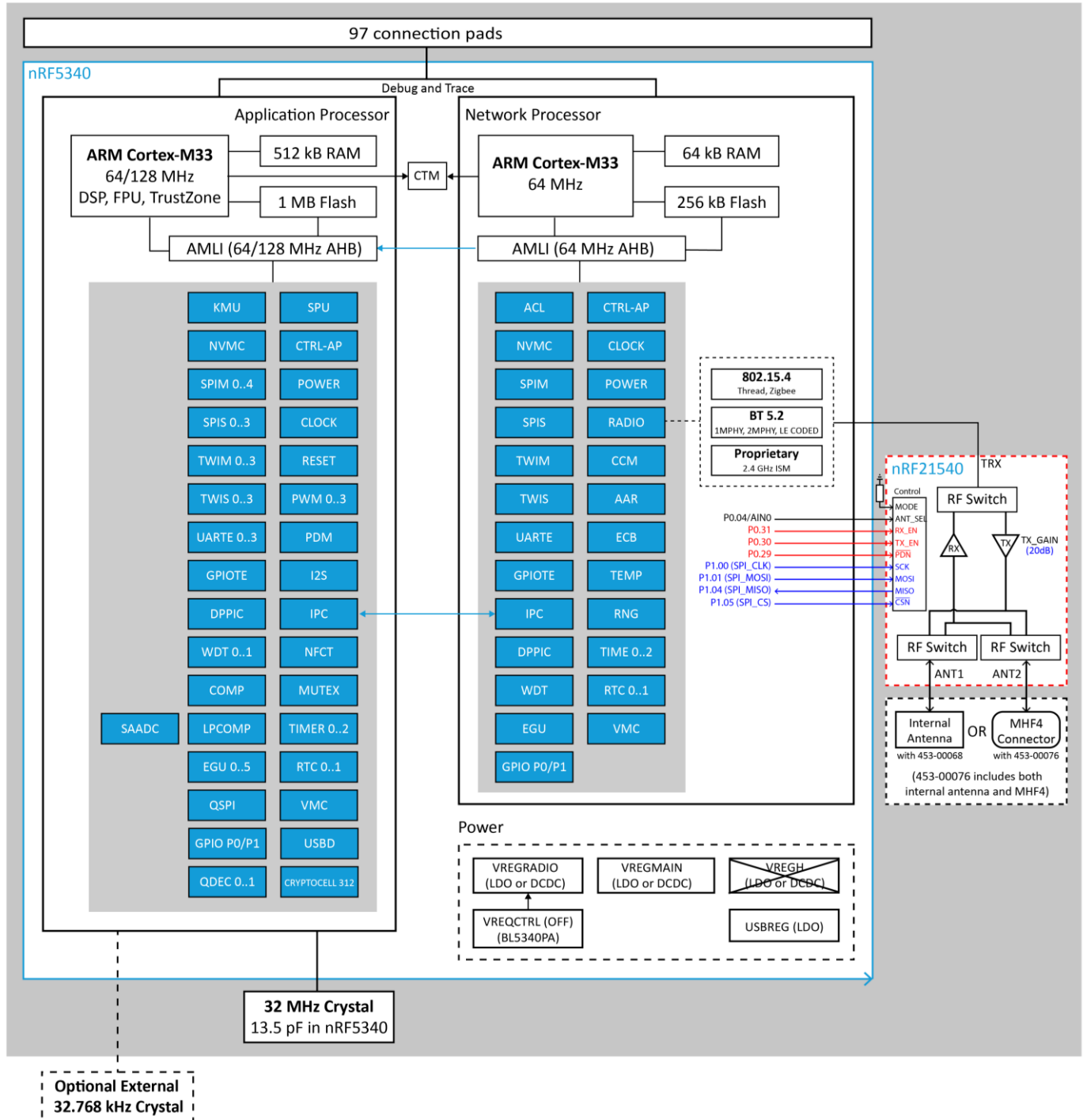


Figure 1: BL5340PA HW block diagram

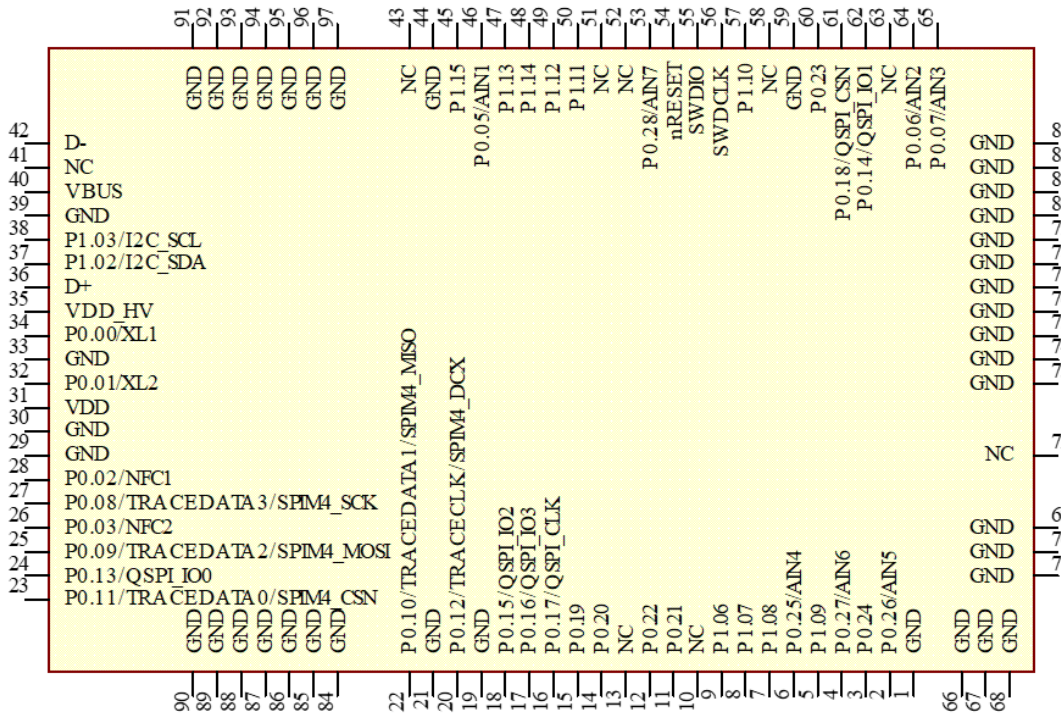


Figure 2: Top view - Combined schematic symbol for 453-00068 BL5340PA Multi-Core/Protocol -Bluetooth +802.15.4+NFC Module (Nordic nRF5340) - Integrated Antenna and schematic symbol for 453-00076 BL5340PA Multi-Core/Protocol -Bluetooth +802.15.4+NFC Module (Nordic nRF5340) -MHF4 RF connector

3.2 Pin Definitions

Table 1: Pin definitions

Pin #	Pin Name	nRF5340 QFN Pin	nRF5340 QFN Name	Comment
1	GND	-	VSS	-
2	P0.26 / AIN5	AL29	P0.26 / AIN5	Dedicated pin for ADC Laird Connectivity Devkit: Ethernet chip SPI_MISO
3	P0.24	AL27	P0.24	Laird Connectivity Devkit: INT2_ACC interrupt from 3-axis accelerometer chip
4	P0.27 / AIN6	AK30	P0.27 / AIN6	Dedicated pin for ADC Laird Connectivity Devkit: Ethernet chip SPI_MOSI
5	P1.09	AK26	P1.09	Laird Connectivity Devkit: UART1_CTS
6	P0.25 / AIN4	AK28	P0.25 / AIN4	Dedicated pin for ADC Laird Connectivity Devkit: Ethernet chip SPI_CS
7	P1.08	AL23	P1.08	Laird Connectivity Devkit: UART1_TX
8	P1.07	AK24	P1.07	Laird Connectivity Devkit: UART1_RTS
9	P1.06	AL21	P1.06	Laird Connectivity Devkit: Interrupt from Port Expander chip PE_INT
10	P1.05	AK22	P1.05	See Note 6
11	P0.21	AL15	P0.21	Laird Connectivity Devkit: UART0_CTS
12	P0.22	AK18	P0.22	Laird Connectivity Devkit: UART0_RX
13	P1.04	AL19	P1.04	See Note 6
14	P0.20	AK16	P0.20	Laird Connectivity Devkit: UART0_TX
15	P0.19	AL13	P0.19	Laird Connectivity Devkit: UART0_RTS

Pin #	Pin Name	nRF5340 QFN Pin	nRF5340 QFN Name	Comment
16	P0.17 / QSPI_CLK	AK12	P0.17 / QSPI_CLK	Dedicated pin for QSPI Laird Connectivity Devkit: QSPI flash chip
17	P0.16 / QSPI_IO3	AL9	P0.16 / QSPI_IO3	Dedicated pin for QSPI Laird Connectivity Devkit: QSPI flash chip
18	P0.15 / QSPI_IO2	AK10	P0.15 / QSPI_IO2	Dedicated pin for QSPI Laird Connectivity Devkit: QSPI flash chip
19	GND	-	VSS	-
20	P0.12 / TRACECLK / SPIM4_DCX	AK6	P0.12 / TRACECLK / SPIM4_DCX	Dedicated pin for High-speed SPI (SPIM4, 32Mbps) and Trace Laird Connectivity Devkit: LCD assembly SPIM4_DCX
21	GND	-	VSS	-
22	P0.10 / TRACEDATA1 / SPIM4_MISO	AK2	P0.10 / TRACEDATA1 / SPIM4_MISO	Dedicated pin for High-speed SPI (SPIM4, 32Mbps) and Trace Laird Connectivity Devkit: LCD assembly SPIM4_SPI_MISO
23	P0.11 / TRACEDATA0 / SPIM4_CSN	AK4	P0.11 / TRACEDATA0 / SPIM4_CSN	Dedicated pin for High-speed SPI (SPIM4, 32Mbps) and Trace. SWO also comes out on P0.11 Laird Connectivity Devkit: LCD assembly SPIM4_CS
24	P0.13 / QSPI_IO0	AL5	P0.13 / QSPI_IO0	Dedicated pin for QSPI Laird Connectivity Devkit: QSPI flash chip
25	P0.09 / TRACEDATA2 / SPIM4_MOSI	AJ1	P0.09 / TRACEDATA2 / SPIM4_MOSI	Dedicated pin for High-speed SPI (SPIM4, 32Mbps) and Trace Laird Connectivity Devkit: LCD assembly SPIM4_MOSI
26	P0.03 / NFC2	AA1	P0.03 / NFC2	Dedicated pin for NFC Laird Connectivity Devkit: NFC Coil flexi-PCB NFC antenna plug into CON2
27	P0.08 / TRACEDATA3 / SPIM4_SCK	AH2	P0.08 / TRACEDATA3 / SPIM4_SCK	Dedicated pin for High-speed SPI (SPIM4, 32Mbps) and Trace Laird Connectivity Devkit: LCD assembly SPIM4_SCL
28	P0.02 / NFC1	W1	P0.02 / NFC1	Dedicated pin for NFC Laird Connectivity Devkit: NFC Coil flexi-PCB NFC antenna plug into CON2
29	GND	-	VSS	-
30	GND	-	VSS	-
31	VDD	A19, B8, L1	VDD	3.0V to 3.6V Normal voltage mode operation only. External supply MUST be connected to both VDD(pin31) and VDD_HV (pin35). See 3.6 BL5340PA Power Supply Options
32	P0.01 / XL2	R1	P0.01 / XL2	Dedicated pin for NFC Laird Connectivity Devkit: Optional 32.768kHz crystal pad XL2 and associated 7pF load capacitor inside nRF5340 chipset.
33	GND	-	VSS	-
34	P0.00 / XL1	N1	P0.00 / XL1	Dedicated pin for NFC

Pin #	Pin Name	nRF5340 QFN Pin	nRF5340 QFN Name	Comment
				Laird Connectivity Devkit: Optional 32.768kHz crystal pad XL1 and associated 7pF load capacitor inside nRF5340 chipset.
				3.0V – 3.6V
35	VDD_HV	E1	VDD_HV	Normal voltage mode operation only. External supply MUST connected to both VDD(pin31) and VDD_HV (pin35). See 3.6 BL5340PA Power Supply Options
36	D+	B2	D+	Laird Connectivity Devkit: USB3
37	P1.02 / I2C_SDA	AE1	P1.02 / I2C_SDA	Dedicated pins for High-speed TWI (1Mbps).
38	P1.03 / I2C_SCL	AF2	P1.03 / I2C_SCL	Laird Connectivity Devkit: Multiple I2C sensors:- 3-axis Accelerometer chip, LCD assembly, RTC chip, Temp/Pres/HMD sensor chip, DAC chip, Eeprom chip, Port Expander (PE) chip which has 4 LED's, 4 BUTTONS connected to PE chip.
39	GND	-	VSS	-
40	VBUS	A5	VBUS	4.35V – 5.5V See 3.6 BL5340PA Power Supply Options
41	NC	M2	P1.00	See Note 6
42	D-	B4	D-	Laird Connectivity Devkit: USB3
43	NC	P2	P1.01	See Note 6
44	GND	-	-	-
45	P1.15	B14	P1.15	Laird Connectivity Devkit: SD card DO/DAT0
46	P0.05 / AIN1	Y2	P0.05 / AIN1	Dedicated pin for ADC Laird Connectivity Devkit: LCD assembly LCD_CTP_INT
47	P1.13	A17	P1.13	Laird Connectivity Devkit: SD card DI/CMD
48	P1.14	B16	P1.14	Laird Connectivity Devkit: SD card SCLK/CLK
49	P1.12	B18	P1.12	Laird Connectivity Devkit: SD card CS_SD/DAT3
50	P1.11	B20	P1.11	Laird Connectivity Devkit: BOOT BUTTON (S4)
51	NC	B22	P0.31	See Note 6
52	NC	B24	P0.30	See Note 6
53	P0.28 / AIN7	AE31	P0.28 / AIN7	Dedicated pin for ADC Laird Connectivity Devkit: Ethernet chip SPI_SCK
54	nRESET	AC31	nRESET	System Reset (Active Low). Internal 13K pull up inside nRF5340.
55	SWDIO	AA31	SWDIO	Pull up resistor (13K) inside nRF5340
56	SWDCLK	W31	SWDCLK	Pull down resistor (13K) inside nRF5340
57	P1.10	R31	P1.10	Laird Connectivity Devkit: UART1_RX
58	NC	U31	P0.29	See Note 6
59	GND	-	VSS	-
60	P0.23	AK20	P0.23	Laird Connectivity Devkit: INT1_ACC interrupt from 3-axis accelerometer
61	P0.18 / QSPI_CSN	AK14	P0.18 / QSPI_CSN	Dedicated pin for QSPI Laird Connectivity Devkit: QSPI flash chip
62	P0.14 / QSPI_IO1	AK8	P0.14 / QSPI_IO1	Dedicated pin for QSPI Laird Connectivity Devkit: QSPI flash chip

Pin #	Pin Name	nRF5340 QFN Pin	nRF5340 QFN Name	Comment
63	NC	V2	P0.04 / AIN0	See Note 6
64	P0.06 / AIN2	AB2	P0.06 / AIN2	Dedicated pin for ADC Laird Connectivity Devkit: LCD assembly LCD_Reset
65	P0.07 / AIN3	AD2	P0.07 / AIN3	Dedicated pin for ADC Laird Connectivity Devkit: Interrupt from Ethernet chip INT_ETH
66	GND	-	VSS	-
67	GND	-	VSS	-
68	GND	-	VSS	-
69	GND	-	VSS	-
70	GND	-	VSS	-
71	GND	-	VSS	-
72	NC	-	-	-
73	GND	-	VSS	-
74	GND	-	VSS	-
75	GND	-	VSS	-
76	GND	-	VSS	-added pin on BL5340PA
77	GND	-	VSS	-added pin on BL5340PA
78	GND	-	VSS	-added pin on BL5340PA
79	GND	-	VSS	-added pin on BL5340PA
80	GND	-	VSS	-added pin on BL5340PA
81	GND	-	VSS	-added pin on BL5340PA
82	GND	-	VSS	-added pin on BL5340PA
83	GND	-	VSS	-added pin on BL5340PA
84	GND	-	VSS	-added pin on BL5340PA
85	GND	-	VSS	-added pin on BL5340PA
86	GND	-	VSS	-added pin on BL5340PA
87	GND	-	VSS	-added pin on BL5340PA
88	GND	-	VSS	-added pin on BL5340PA
89	GND	-	VSS	-added pin on BL5340PA
90	GND	-	VSS	-added pin on BL5340PA
91	GND	-	VSS	-added pin on BL5340PA
92	GND	-	VSS	-added pin on BL5340PA
93	GND	-	VSS	-added pin on BL5340PA
94	GND	-	VSS	-added pin on BL5340PA
95	GND	-	VSS	-added pin on BL5340PA
96	GND	-	VSS	-added pin on BL5340PA
97	GND	-	VSS	-added pin on BL5340PA

Pin Definition Notes:

Note 1 GPIO	<p>GPIO = General Input or Output (GPIO level voltage tracks VDD pin). AIN =Analog input. If GPIO is selected as an input, ensure the input is not floating (which can cause current consumption to drift with time in low power modes (such as System ON Idle), by selecting the internal pull up or pull down. Must connect all GND pads to host board PCB GND plane.</p>
Note 2 QSPI/SPI/TWI/Trace	<p>QSPI, High-Speed SPI (SPIM4) 32 Mbps, TWI 1 Mbps and Trace come on dedicated GPIO pins only. Other lower speed SPI (16 Mbps, 8 Mbps, 4 Mbps, 2 Mbps, 1 Mbps, 500 kbps, 250 kbps, 125 kbps) and TWI (400 kbps, 250 kbps, 100 kbps) can come out on any GPIO pins.</p>

Pin Definition Notes:

<p>Note 3 USB</p>	<p>If using the USB interface, then the BL5340PA VBUS pin (pin40) must be connected to external supply within the range 4.35V to 5.5V. When using the BL5340PA VBUS pin (pin40), you MUST externally fit a 4.7uF to ground.</p>
<p>Note 4 SWDIO / SWCLK / nRESET / VDD / GND</p>	<p>Customer MUST bring out SWDIO, SWCLK, nRESET, VDD, GND for programming purposes. A reset in the system is triggered by either a system level or core level reset source. A system level reset resets all cores. Examples of system level resets – power-on reset, brownout reset, and pin reset. Examples of core level resets – soft reset, lockup (resets either the entire core or only part of it). Refer to the nRF5340 datasheet for more details: https://infocenter.nordicsemi.com/topic/ps_nrf5340/keyfeatures_html5.html?cp=3_0_0 SWD- Two-wire interface</p>
<p>Note 5</p>	<p>Pin72 for the BL5340PA module is No Connect.</p>
<p>Note 6 BL5340PA NC pins</p>	<p>The 8 GPIOs signals on BL5340 module (P0.04/AIN0, P0.29, P0.30, P0.31, P1.00, P1.01, P1.04, P1.05) are NC pins on BL5340PA module series.</p>

3.3 Electrical Specifications

3.3.1 Absolute Maximum Ratings

Absolute maximum ratings are the extreme limits for supply voltage and voltages on digital and analogue pins of the module are listed below; exceeding these values causes permanent damage.

Table 2: Absolute maximum ratings

Parameter	Min	Max	Unit
Voltage at VDD pin	-0.3	+3.6 (Note 1)	V
Voltage at VDD_HV pin	-0.3	+3.6	V
VBUS	-0.3	+5.8	V
Voltage at GND pin		0	V
Voltage at GPIO pin (at VDD ≤ 3.6V)	-0.3	VDD + 0.3	V
Voltage at GPIO pin (at VDD ≥ 3.6V)	-0.3	3.9	V
NFC antenna pin current (NFC1/2)	-	80	mA
Radio RF input level	-	-10.5	dBm
Environmental			
Storage temperature	-40	+105	°C
MSL (Moisture Sensitivity Level)	-	4	-
ESD (as per EN301-489)			
Conductive		4	kV
Air Coupling		8	kV
Flash Memory (Endurance) (Note 2)	-	10000	Write/erase cycles
Flash Memory (Retention)	-	10 years at 40 °C	-

Absolute maximum Ratings Notes:

Note 1 | The absolute maximum rating for VDD and VDD_HV pins (max) is 3.6V for the BL5340PA.

Note 2 | Wear levelling can be implemented by customer.

3.3.2 Recommended Operating Parameters

Table 3: Power supply operating parameters

Parameter	Min	Typ	Max	Unit
VDD (independent of DCDC) supply range	3.0	3.3	3.6	V
VDD_HV (independent of DCDC) supply range	3.0	3.3	3.6	V
VBUS USB supply range	4.35	5	5.5	V
VDD Maximum ripple or noise (See Note 1)	-	-	10	mV
Time in Power-on reset after supply reaches minimum operating voltage, depend on supply rise time.				
VDD supply rise time (0V to 1.7V) ² 10uS	-	0.7	1.0	mS
VDD supply rise time (0V to 1.7V) ² >10mS	-	0	-	mS
Operating Temperature Range	-40	+25	+105	°C

Recommended Operating Parameters Notes:

Note 1	This is the maximum VDD or VDD_HV ripple or noise (at any frequency) that does not disturb the radio.
Note 2	The on-board power-on reset circuitry may not function properly for rise times longer than the specified maximum.
Note 3	<p>BL5340PA power supply:</p> <ul style="list-style-type: none"> ▪ Normal voltage mode – connect the external supply voltage (3.0V to 3.6V) to BOTH the VDD and VDD_HV pins (so that VDD equals VDD_HV). <p>If you use USB interface, then the BL5340PA VBUS pin must be connected to external supply within the range 4.35V to 5.5V. When using the BL5340PA VBUS pin, you MUST externally fit a 4.7uF to ground.</p>

Table 4: Signal levels for interface, GPIO

Parameter	Min	Typ	Max	Unit
V _{IH} Input high voltage	0.7 VDD		VDD	V
V _{IL} Input low voltage	VSS		0.3 x VDD	V
V _{OH} Output high voltage				
(std. drive, 0.5mA, VDD≥1.7V)	VDD -0.4		VDD	V
(high-drive, 3mA, VDD≥1.7V)	VDD -0.4		VDD	V
(high-drive, 5mA, VDD≥2.7V)	VDD -0.4		VDD	V
V _{OL} Output low voltage				
(std. drive, 0.5mA, VDD≥1.7V)	VSS		VSS+0.4	V
(high-drive, 3mA, VDD≥1.7V)	VSS		VSS+0.4	V
(high-drive, 5mA, VDD≥2.7V)	VSS		VSS+0.4	V
V _{OL} Current at VSS+0.4V, Output set low				
(std. drive, VDD≥1.7V)	1	2	4	mA
(high-drive, VDD≥1.7V)	3	-	-	mA
(high-drive, VDD≥2.7V)	6	-	-	mA
QSPI (high-drive, VDD≥1.7V))	-	10	-	mA
TWIM (high-drive, VDD≥1.7V))	-	50	-	mA
V _{OH} Current at VDD -0.4, Output set high				
(std. drive, VDD≥1.7V)	1	2	3	mA
(high-drive, VDD≥2.7V)	6	-	-	mA
(high-drive, VDD≥1.7V)	3	-	-	mA
QSPI (high-drive, VDD≥1.7V))	-	10	-	mA
Pull up resistance		13		kΩ
Pull down resistance		13		kΩ
Pad capacitance		1.5		pF
Pad capacitance at NFC pads		4		pF
Leakage current between NFC pads when driven to different states		1	10	uA

Signal Levels Notes:

Note 1	<p>The GPIO (GPIO) high reference voltage always equals the level on the VDD pin.</p> <ul style="list-style-type: none"> ▪ Normal voltage mode – The GPIO high level equals the voltage supplied to the VDD pin (and VDD_HV pin)
---------------	--

Table 5: GPIO pin alternative function AIN (ADC) specification

Parameter	Min	Typ	Max	Unit
ADC channels (AIN), single ended (SE) or differential		SE or DE		
ADC channels (AIN)		AIN0 to AIN7		
ADC channels other through VDD pin		VDD		
ADC channels other through VDDH pin		VDDHDIV5		
ADC modes (single channel)		One-shot mode or Continuous mode		
ADC modes (multiple channel)		Scan mode		
ADC Internal reference voltage Input range or		(±0.6)/Gain		V
ADC External VDD as reference voltage Input range		(±VDD/4)/Gain		V
ADC pin input				Scaling
internal selectable scaling gain		4, 2, 1, 1/2, 1/3, 1/4, 1/5 1/6		gain
ADC input pin (AIN) voltage maximum without damaging ADC w.r.t (see Note 1)				
VCC Prescaling (Gain)				
0V-VDD	4, 2, 1, ½, 1/3, ¼, 1/5, 1/6	VSS	VDD+0.3	V
Configurable Resolution	8	10	12	bits
Configurable Resolution with oversampling	-	-	14	bits
Maximum sampling rate			200	kHz
Configurable (see Note 2)				
Acquisition Time, source resistance ≤10kΩ		3		µS
Acquisition Time, source resistance ≤40kΩ		5		µS
Acquisition Time, source resistance ≤100kΩ		10		µS
Acquisition Time, source resistance ≤200kΩ		15		µS
Acquisition Time, source resistance ≤400kΩ		20		µS
Acquisition Time, source resistance ≤800kΩ		40		µS
Conversion Time (see Note 3)		2		µS
ADC input impedance (during operation) (see Note 3)				
Input Resistance		1		MΩ
Sample and hold capacitance at maximum gain		2.5		pF

Recommended Operating Parameters Notes:

Note 1	On AIN pin, do not violate ADC maximum input voltage (for damage) for a given VDD, e.g. With internal reference, single ended input (ground negative input) and gain of 1/6, the input range is equal to (0.6V)/(1/6) or 3.6V. If VDD is 3.6V, you can only expose AIN pin to VDD+0.3 V. With reference chosen as VDD, single ended input (ground negative input) and gain of 1/4 the input range is equal to (VDD/4)/(1/4) or VDD.
Note 2	<p>ADC resolution (8-bit, 10-bit, 12-bit, 14bit mode), acquisition time, gain, reference voltage source, single ended or differential input, ADC mode and oversampling (for 14bit mode) are configurable. BL5340PA ADC is a Successive Approximation type ADC (SSADC). As a result, no external capacitor is needed for ADC operation. Configure the acquisition time according to the source resistance of external connection to ADC (that customer has).</p> <p>In Continuous mode, the sampling frequency is limited by the sum of sampling time and acquisition time ($f_{\text{sample}} < 1/(t_{\text{ACQ}} + t_{\text{conv}})$). The maximum sampling time is 2µs. For acquisition time of 3µs the total conversion time is therefore 5µs, which makes maximum sampling frequency of $1/5\mu\text{s} = 200\text{kHz}$. Similarly, if acquisition time of 40µs chosen, then the conversion time is 42µs and the maximum sampling frequency is $1/42\mu\text{s} = 23.8\text{kHz}$.</p> <p>In scan mode the sample time is the time it takes to sample all channels (Total sample time < Sum(CH[x] x ((t_{acq} + t_{conv}))) where x=0..enabled channels.</p> <p>When using VDDHDIV5 as input, the acquisition time needs to be 10µS or higher.</p>

Note 3 ADC input impedance is estimated mean impedance of the ADC (AIN) pins.

3.4 Application Core and Network Core

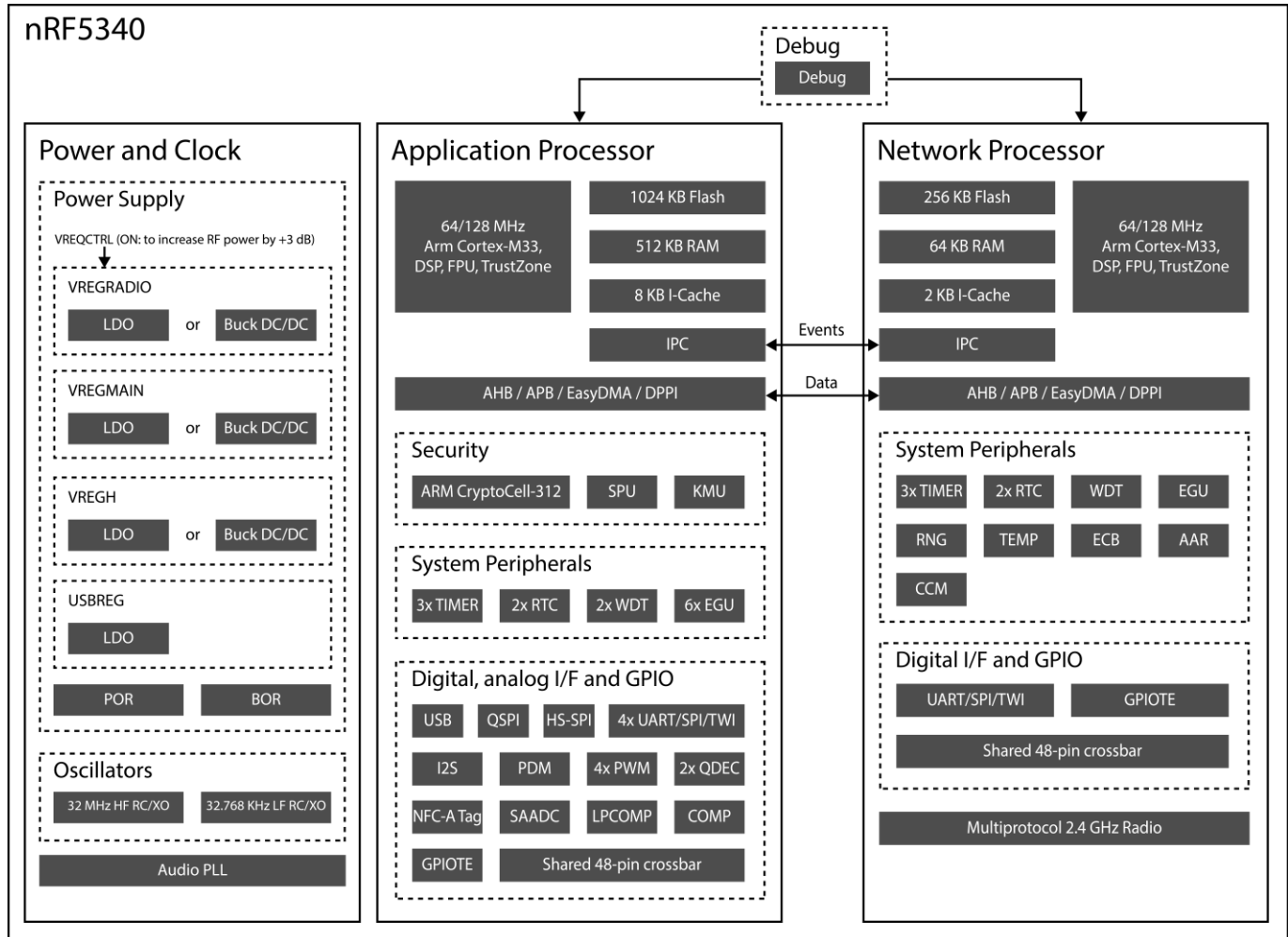


Figure 3: nRF5340 SoC SW block diagram (adapted from Nordic)

nRF5340 SoC (block diagram [Figure 3](#)) contains two processors:

- **Applications Core (high performance)**
 - Arm Cortex-M33 with DSP (Digital Signal Processing) and FPU (Floating Point Unit), TrustZone support, 1024 kB Flash, 512 kB RAM, 8 kB 2-way set associative cache (serves both internal and external memory), 128 MHz and 64 MHz clock speed, fully programmable and optimized for performance and uses voltage and clock frequency scaling.
 - Security ([Figure 3](#))
 - System Peripherals ([Figure 3](#))
 - Digital, analog interfaces and GPIO ([Figure 3](#))
- **Network Core (ultra-low power)**
 - Arm Cortex-M33, 256 kB Flash, 64 kB RAM, 2 kB instructions cache, 64 MHz clock speed, fully programmable and optimized for efficiency
 - System Peripherals ([Figure 3](#))
 - Digital interfaces and GPIO ([Figure 3](#))
 - Radio ([Figure 3](#))

3.5 Clocks

3.5.1 HFXO - 32MHz crystal oscillator and nRF53 internal load capacitor 13.5pF mandatory setting

The BL5340PA module contains the 32 MHz crystal, but the load capacitors to create 32MHz crystal oscillator circuit are inside the nRF5340 chipset. Customer MUST set the internal nRF5340 capacitors to 13.5pF (for proper operation of the 32 MHz crystal circuit).

The 32 MHz crystal inside the BL5340PA module is a high accuracy crystal (± 15 ppm at room temperature) that helps with radio operation and reducing power consumption in the active modes.

3.5.2 LFCLK – Low Frequency clock source

There are four possibilities (see figure 5) for the low frequency clock (LFCLK) and options are:

LFRC (32.768kHz RC oscillator): The Internal 32.768 kHz RC oscillator (LFRC) is fully embedded in nRF5340 (and does not require additional external components) with an accuracy ± 250 ppm (after calibration of LFRC at least every eight seconds using the HFXO as a reference oscillator). See section [LFXO - OPTIONAL 32.768kHz Crystal and Load Capacitor](#).

LFXO (32.768kHz crystal oscillator): For higher LFCLK accuracy (greater than ± 250 ppm accuracy is required), the low frequency crystal oscillator (LFXO) must be used. To use LFXO, a 32.768kHz crystal must be connected between the XL1 and XL2 pins and the load capacitance between each crystal terminal and ground. Optionally internal (to nRF53) capacitors of 6pF, 7pF and 9pF are provided on pins XL1 and XL2. See section [LFXO - OPTIONAL 32.768kHz Crystal and Load Capacitor](#).

Low frequency (32.768 kHz) external source: The 32.768 kHz oscillator (LFXO) is designed to work with external sources. Following external sources are supported:

- **A low swing clock. The signal should be applied to the XL1 pin with XL2 pin grounded.**
 - In "external low-swing mode" the clock signal can either be a sinewave or a square wave, but it's not allowed to be rail-to-rail. The signal is passed through the LFXO module for amplification and conversion into a digital clock. The amplifier requires a peak-to-peak input amplitude of between 200mV and 1000mV; too high or low amplitude may affect the integrity of the clock. The DC offset of the external signal is flexible, but it must not be so high that XL1 peaks above VDD, or so low that XL1 dips below VSS.
- **A rail-to-rail clock. The signal should be applied to the XL1 pin with XL2 pin left unconnected.**
 - In "external full-swing mode" the LFXO is in reality disabled and the XL1 pin configured as a digital input. Hence, the external clock signal must be a digital waveform, with 'high' and 'low' levels as specified in the GPIO chapter. The full-swing mode will consume slightly less current since the internal signal amplifier is not needed and thus powered down. In "external full-swing mode" the XL2 pin is not connected to anything internally but advise to ground any unused pins.

See [LFXO - OPTIONAL 32.768kHz Crystal and Load Capacitor](#) in the last row of [Table 7](#).

LFSYNTH (32.768kHz Synthesised clock) from HFCLK (LFSYNTH): The LFCLK can be synthesised from the HFCLK source. LFSYNTH depends on the HFCLK to run. The accuracy of the LFCLK clock with LFSYNTH as a source assumes the accuracy of the HFCLK. If high accuracy is required, the HFCLK must be generated from the HFXO. Using the LFSYNTH clock removes the requirement for an external 32.768kHz crystal but the increases the average power consumption as the HFCLK will be turned on in the system.

3.5.2.1 LFXO - OPTIONAL 32.768kHz Crystal and Load Capacitor

This is not required for normal BL5340PA module operation.

The nRF5340 on-chip 32.768 kHz LFRC oscillator (± 250 ppm) provides protocol timing and helps with radio power consumption in the System ON Idle and System OFF modes by reducing the time that the RX window needs to be open.

To maintain accuracy of the nRF5340 on-chip 32.768 kHz LFRC oscillator within ± 250 ppm (which is needed to run the BLE stack), LFRC oscillator needs to be calibrated (which takes 32 mS) regularly. The calibration interval is at least eight seconds which is enough to keep within ± 250 ppm.

You can connect an optional external high accuracy (± 20 ppm) 32.768 kHz crystal (and associated load capacitors can be external capacitors or use capacitance inside the nRF5340 chipset, which are configurable to either 6pF, 7pF, or 9pF) to the BL5340PA P0.01/XL2 (pin 32) and P0.00/XL1 (pin 34). This provides improved protocol timing and to help with radio power consumption in the System ON Idle or System OFF sleep modes by reducing the time that the RX window needs to be open. Table 6 compares the current consumption difference between RC (LFRC) and crystal oscillator (LFXO).

Table 6: Comparing current consumption difference between BL5340PA on-chip LFRC 32.768 kHz oscillator and optional external crystal (32.768kHz) based oscillator

	BL5340PA on-chip 32.768 kHz RC Oscillator (± 250 ppm) LFRC	Optional External Higher Accuracy (± 20 ppm) 32.768 kHz Crystal-based Oscillator LFXO
Current Consumption of 32.768 kHz Block	1.0 uA	0.16 uA
System ON idle + NET Core 64kB RAM + APP Core 8kB RAM retention +RTC run current + LFRC or LFXO)	2.6 uA	2.1 uA
Calibration	<p>Calibration required regularly (default 8s interval). Calibration takes 32 ms; with DCDC used, the total charge of a calibration event is 12.6 uC.</p> <p>The average current consumed by the calibration depends on the calibration interval and can be calculated using the following formula: CAL_charge/CAL_interval – The lowest calibration interval (0.25 seconds) provides an average current of (DCDC enabled): 12.6uC/0.25s = 50.4uA</p> <p>To get the ± 250-ppm accuracy, the BLE stack specification states a calibration interval of 8s is enough. This gives an average calibration current of: 12.6uC/8s = 1.6uA</p> <p>Added to the LFRC run current and System ON Idle base current shown above results in a total average current of: LFRC + CAL = 2.6 + 1.6 = 4.2 uA</p>	Not applicable
Total	4.2 uA	2.1 uA
Summary	<ul style="list-style-type: none"> ▪ Low current consumption ▪ Accuracy ± 250 ppm 	<ul style="list-style-type: none"> ▪ Lowest current consumption ▪ Needs external crystal ▪ High accuracy (depends on crystal, usually ± 20 ppm)

Results with below test setup:

- Network core enabled
 - DCDC enabled
 - 64kB RAM retained
 - RTC enabled
 - Running BLE stack
- Application core enabled
 - DCDC enabled
 - 8kB RAM retained
 - RTC enabled
 - Running zephyr OS
- 3V supply on VDD

BL5340PA on-chip 32.768 kHz RC Oscillator (±250 ppm) LFRC	Optional External Higher Accuracy (±20 ppm) 32.768 kHz Crystal-based Oscillator LFXO
--	---

- VDDH disabled
- DCDC VDDH disabled

Table 7: Optional external 32.768 kHz crystal specification and Low frequency (32.768kHz) external source specification

Optional external 32.768kHz crystal	Min	Typ	Max
Crystal Frequency	-	32.768 kHz	-
Frequency tolerance requirement of BLE stack	-	-	±500 ppm
Load Capacitance	-	7 pF	9 pF
Shunt Capacitance	-	1 pF	2 pF
Equivalent series resistance	-	60 kOhm	90 kOhm
Drive level	-	-	0.5 μW
Input capacitance on XL1 and XL2 pads with internal capacitor disabled	-	4 pF	-
Input capacitance on XL1 and XL2 pads with internal capacitor enabled	6 pF	7 pF	9 pF
Peal to peak amplitude for external low swing clock . Input signal must not be outside supply rails. The allowable input amplitude range in low-swing mode does not change with VDD.	200 mV	-	1000 mV

Be sure to tune the load capacitors on the board design to optimize frequency accuracy (at room temperature) so it matches that of the same crystal standalone, Drive Level (so crystal operated within safe limits) and oscillation margin (R_{neg} is at least 3 to 5 times ESR) over the operating temperature range.

3.5.3 Other Internal Clocks

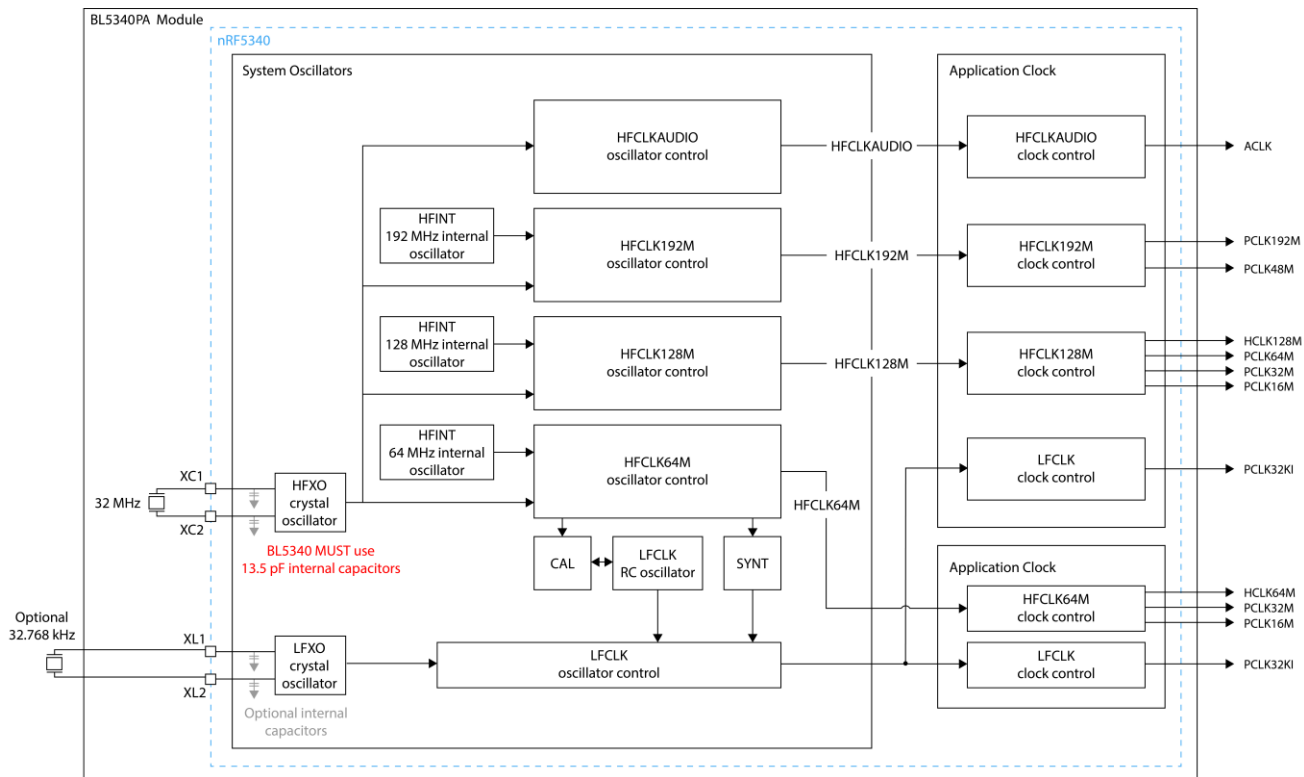


Figure 4: nRF5340 SoC clocks (adapted from Nordic)

Table 8: Core clocks

Core clock	Description
HFCLK128M	Scalable 128 MHz CPU clock for the application core
HFCLK64M	64 MHz CPU clock for the network core
PCLK192M	Scalable 192 MHz clock for QSPI
PCLK64M	64 MHz peripheral clock
PCLK48M	48 MHz clock for USB
PCLK32M	32 MHz peripheral clock
PCLK16M	16 MHz peripheral clock
ACLK	11.289 MHz or 12.288 MHz tuneable audio peripheral clock

3.6 BL5340PA Power Supply Options

Power management features:

- System ON Idle, System OFF and Force-OFF mode.
- Open/Close peripherals (UART, SPI, QSPI, I2C, GPIOs, ADC, NFC, I2S, PDM etc.). Peripherals consume current when open; each peripheral can be individually closed to save power consumption
- Use of the internal DCDC convertor or LDO
- Supply voltage to be read (through the internal ADC)
- Pin wake-up system from System OFF (including from NFC pins)

Power supply features:

- Supervisor hardware to manage power during reset, brownout, or power fail.
- Connect the external supply (3.0V to 3.6V) to BOTH VDD and VDD_HV pin to operate the BL5340PA module (in Normal Voltage mode) using internal DCDC convertors or LDO
- To use the BL5340PA USB peripheral, connect the BL5340PA VBUS pin to the external supply within the range 4.35V to 5.5V range for powering USB (VBUS pin) portion of BL5340PA only. The remainder of the BL5340PA module circuitry must still be powered by connecting the external supply (3.0V to 3.6V) to BOTH VDD and VDD_HV pin to operate the BL5340PA module (in Normal Voltage mode).

The BL5340PA module power supply internally contains the following two main supply regulator stages (Figure 5).

- VREGH – Connected to the VDD_HV pin
- VREGMAIN and VREGRADIO – Connected to the VDD pin

The USB peripheral is powered separately (connected to the VBUS pin).

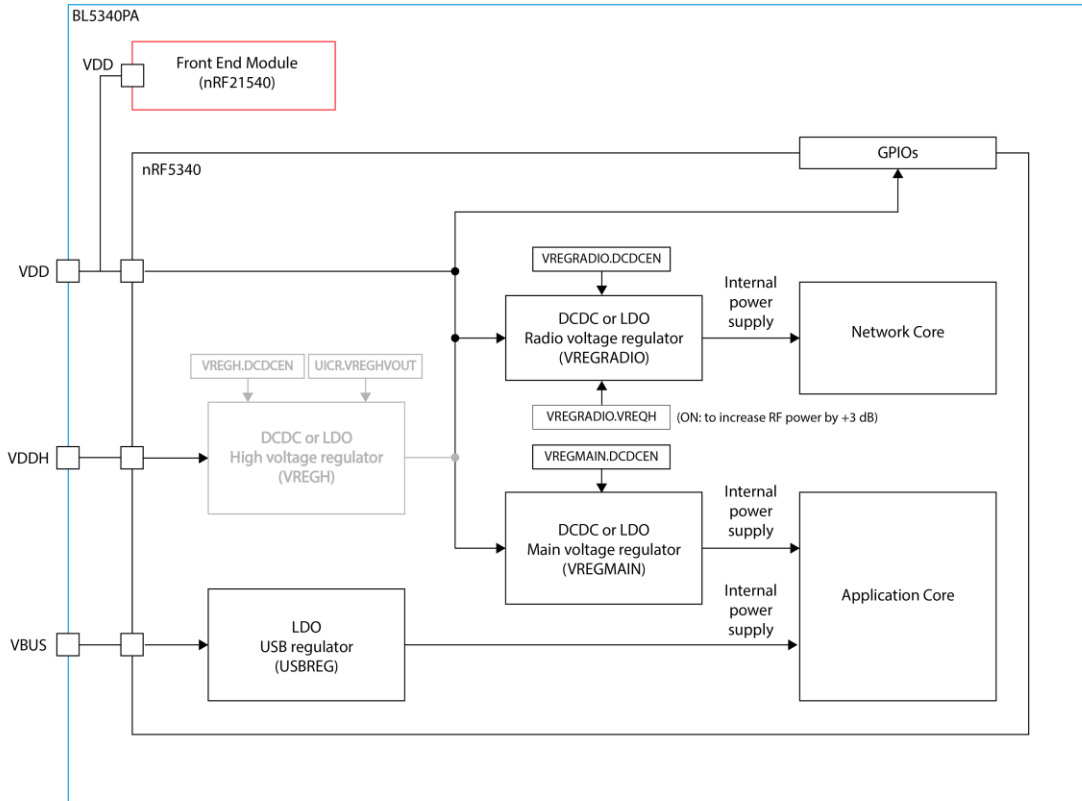


Figure 5: BL5340PA power supply block diagram (adapted from the following resource: https://infocenter.nordicsemi.com/topic/ps_nrf5340/keyfeatures_html5.html?cp=3_0_0)

3.6.1 Normal Voltage mode

The BL5340PA power supply system can be used Normal voltage mode only, for which the external supply voltage (3.0 to 3.6V) is connected to these pins.

- **Normal voltage mode:** connect the external supply voltage (3.0V to 3.6V) is connected to BOTH the VDD and VDD_HV pins (so that VDD equals VDD_HV).

If you use USB interface then the BL5340PA VBUS pin must be connected to external supply within the range 4.35V to 5.5V. When using the BL5340PA VBUS pin, you **MUST** externally fit a 4.7uF to ground. See [VBUS pin and 4.7uF Mandatory Capacitor](#) if USB peripheral is to be used.

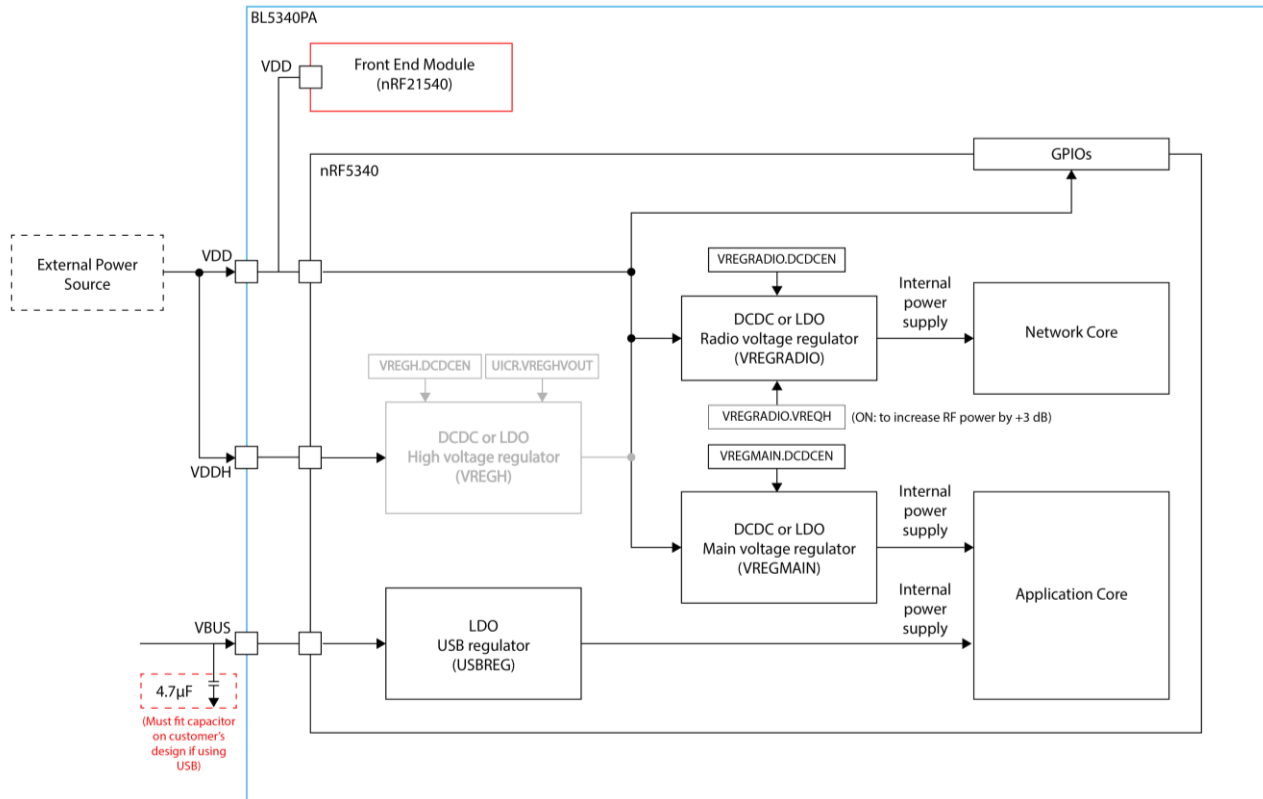


Figure 6: Normal Voltage mode

3.6.2 VBUS pin and 4.7uF Mandatory Capacitor

To use the BL5340PA USB peripheral:

1. Connect the BL5340PA VBUS pin to the external supply within the range 4.35V to 5.5V. When using the BL5340PA VBUS pin, you **MUST** externally fit a 4.7uF to ground. Ensure capacitor value reduction due to DC bias, AC bias, temperature is minimized.
2. Connect the external supply (3.0V to 3.6V) to BOTH VDD and VDD_HV pin to operate the rest of BL5340PA module.

An optional series 4.7Ohms resistor on the USB supply (VBUS) can be fitted for improved immunity to transient over-voltage VBUS connection.

If not using USB peripheral, the VBUS pin can be left unconnected.

3.6.3 VREQCTRL - Voltage request control (VREQCTRL OFF for BL5340PA)

BL5340PA is radio regulatory certified with nRF5340 VREQCTRL turned OFF. BL5340PA customer must keep the nRF5340 VREQCTRL turned OFF to stay within BL5340PA radio regulatory certifications.

See section 6.2.4 for actual radio regulatory RF TX power limit allowed for each regulatory region, per BL5340PA module HW variant, per PHY, per channel.

3.6.4 Low Power Modes

The nRF5340 chipset (BL5340PA module) has four power modes: Active, System ON Idle, System OFF and Force-OFF mode. The nRF21540 has sleep mode that is used whenever there is no RF TX or RF activity.

For low power consumption, the module can be placed automatically in System ON Idle if there are no pending events. The module wakes from System ON Idle via any interrupt (such as a received character on the UART Rx line). If the module receives a UART character from either the external UART or the radio, it wakes up.

System OFF is the lowest power mode. Once awakened, the system goes through a system reset.

Force-OFF is only applicable for network core.

3.7 Programmability

3.4.1 BL5340PA Default Firmware

The BL5340PA module is shipped from Laird Connectivity manufacturing facilities with no firmware loaded.

3.7.1 BL5340PA Firmware options

Firmware for use with the BL5340PA can be divided into three types.

- **Bootloader** – This is the application that resides on the Application Core used to perform firmware updates of the Application and Network Cores.

The MCUboot [A] or the Trusted Firmware M [B] Bootloaders can be used as the basis for BL5340PA Bootloader functionality.

- **Application** – This is the main application code that resides on the Application Core. It interfaces with the Network Core and provides supplementary functionality to that of the time critical activities being performed on the Network Core.

The BL5340PA is supported by the Nordic Connect SDK [C].

- **Radio Stack** – This is the protocol stack that resides on the Network Core. It controls the radio and performs time critical protocol related operations and provides the results of these to the Application Core for high level processing.

BLE [D], Thread [E], Zigbee [F] and 802.15.4 [G] Radio Stacks are available for use with the Nordic Connect SDK platform.

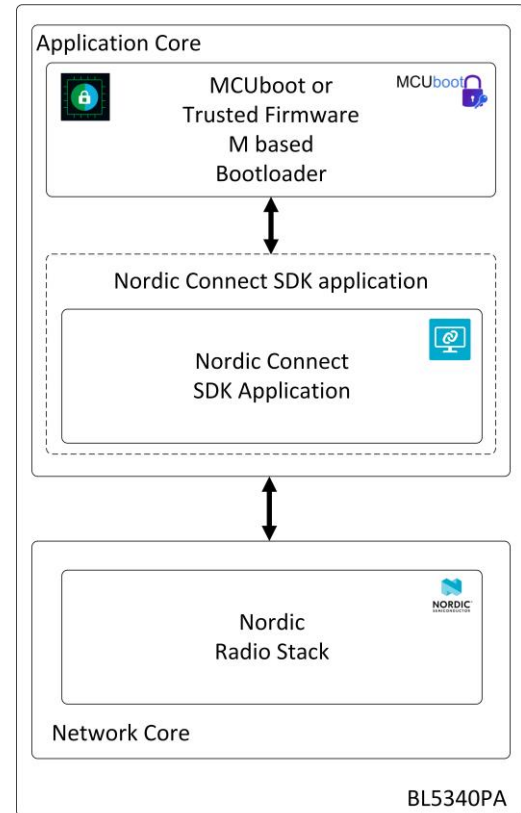


Figure 7: Functional SW block diagram for BL5340PA series BLE module

Note: Control of the BL5340PA FEM (nRF21540) is performed by the MPSL (Multiprotocol Service Layer) [H] provided as part of the Nordic Connect SDK. To ensure regulatory compliance in all regions, user applications must include Laird Connectivity provided BL5340PA driver code. This contains tables used to limit transmit power on specified radio channels. Laird Connectivity provides a fork of the nRF Connect SDK [item I below] that includes the required BL5340PA-DVK boards file and power tables to ensure regulatory compliance.

[A] <https://github.com/mcu-tools/mcuboot>

[B] <https://www.trustedfirmware.org/>

[C] <https://www.nordicsemi.com/Software-and-tools/Software/nRF-Connect-SDK>

[D] https://developer.nordicsemi.com/nRF_Connect_SDK/doc/latest/nrfxlib/softdevice_controller/README.html#softdevice-controller

[E] https://developer.nordicsemi.com/nRF_Connect_SDK/doc/latest/nrf/ug_thread.html

[F] https://developer.nordicsemi.com/nRF_Connect_SDK/doc/latest/nrf/ug_zigbee.html

[G] https://developer.nordicsemi.com/nRF_Connect_SDK/doc/latest/nrfxlib/nrf_802154/README.html

[H] https://developer.nordicsemi.com/nRF_Connect_SDK/doc/latest/nrfxlib/mpsl/README.html

[I] https://github.com/LairdCP/bl5340pa_manifest

4 POWER CONSUMPTION

Normal voltage mode VDD of 3.3 V, using internal (to chipset) DCDC or with internal (to chipset) LDO ON. Temperature 25°C.

Table 9: Power consumption

Parameter	Typ Radio only nRF5340	Typ Radio +Application core (20kB RAM) + Network core (64kB RAM)	BL5340PA running radio test FW, (FEM TX_Gain=20dB default)
Active mode 'peak' current (Note 1)	With DCDC [with LDO]	With DCDC [with LDO]	
nRF5340 RF TX setting (BL5340PA RF TX power)			
Tx only run peak current @ nRF53 Txpwr = 0 dBm (21.0dBm)	3.4mA [9.1mA]	-	133.1mA
Tx only run peak current @ nRF53 Txpwr = -4 dBm (18.5dBm)	2.7mA [7.2mA]	-	99.7mA
Tx only run peak current @ nRF53 Txpwr = -5 dBm (16.9dBm)	-	-	89.8mA
Tx only run peak current @ nRF53 Txpwr = -6 dBm (17.4dBm)	-	-	84.8mA
Tx only run peak current @ nRF53 Txpwr = -7 dBm (15.7dBm)	-	-	72.7mA
Tx only run peak current @ nRF53 Txpwr = -8 dBm (14.6dBm)	2.2mA [5.8mA]	-	65.7mA
Tx only run peak current @ nRF53 Txpwr = -12 dBm (10.4dBm)	2.0mA [5.0mA]	-	50.7mA
Tx only run peak current @ nRF53 Txpwr = -16 dBm (6.1dBm)	1.8mA [4.5mA]	-	44.1mA
Tx only run peak current @ nRF53 Txpwr = -20 dBm (3.1dBm)	1.7mA [4.2mA]	-	41.9mA
Tx only run peak current @ nRF53 Txpwr = -40 dBm (-17.3dB)	1.5mA [3.8mA]	-	39.9mA
Active Mode			
Rx only 'peak' current, BLE 1Mbps (Note 1)	2.7mA [6.7mA]	8.6mA [21.5mA]	11.6mA
Rx only 'peak' current, BLE 2Mbps (Note 1)	3.1mA [7.9mA]	-	
Ultra-Low Power Mode 1 (Note 2)			
System ON Idle (0 k application, network core RAM retention)	1.3uA	-	3.1uA (512kB RAM retention)
Ultra-Low Power Mode 2 (Note 3)			
System OFF (0 kB application and network RAM retention)	0.9uA		0.9uA
Active Mode Average current (Note 4)			
Advertising Average Current draw			
Max, with advertising interval (min) 20 mS	uA, Note4		
Min, with advertising interval (max) 10240 mS	uA, Note4		
Connection Average Current draw			
Max, with connection interval (min) 7.5 mS	uA, Note4		
Min, with connection interval (max) 4000 mS	uA, Note4		

Power Consumption Notes:

Note 1 This is for Peak Radio Current only (with VREQCTRL OFF). Also, additional current draw depending on Application Core and Network Core running, RAM, flash used and which peripherals on (if any).
See section 6.2.4 for actual radio regulatory nRF5340 RF TX power setting limit allowed for each regulatory region, per BL5340PA module HW variant, per PHY, per channel.

Note 2 BL5340PA modules System ON Idle is 1.3 uA typical (with 0kB application core RAM, wake on any event, network core RAM 0kB, network core forced off). System ON Idle is entered automatically (waiting for an event). In System ON Idle, all peripherals that are enabled stay on and may re-awaken the chip. Depending on active peripherals, current consumption ranges from 1.3 uA to 645 uA (when UART is ON, Idle). See individual peripherals current consumption data in the Peripheral Block Current Consumption section. There is functionality to detect GPIO change with no current consumption cost, it is possible to close the UART and get to the 1.3 uA current consumption regime and still be able to detect for incoming data and be woken up so that the UART can be re-opened at expense of losing that first character.

Power Consumption Notes:

	RAM retention current per 4k block is approximately 13nA. nRF21540 in power down consumes 45nA typically.
Note 3	<p>In System OFF (0kB application RAM, wake on reset, network core RAM 0kB), everything is disabled, and the only wake-up sources (including NFC to wakeup) are reset and changes on GPIO or NFC pins on which sense is enabled. The current consumption seen is ~0.9 uA typical in BL5340PA modules (nRF21540 in power down consumes 45nA typically).</p> <ul style="list-style-type: none"> ▪ Coming out from System OFF to System ON Idle is through the reset vector.
Note 4	<p>Average current consumption depends on several factors (including Tx power, VDD, accuracy of 32MHz and 32.768 kHz). With these factors fixed, the largest variable is the advertising or connection interval set.</p> <p>Advertising Interval range:</p> <ul style="list-style-type: none"> ▪ 20 milliseconds to 10240 mS (10485759.375 mS in BT 5.1) in multiples of 0.625 milliseconds. <p>For an advertising event:</p> <ul style="list-style-type: none"> ▪ The minimum average current consumption is when the advertising interval is large (10240 mS, or 10485759.375 mS in BT 5.1) although this may cause long discover times (for the advertising event) by scanners ▪ The maximum average current consumption is when the advertising interval is small (20 mS). <p>Other factors that are also related to average current consumption include the advertising payload bytes in each advertising packet and whether it's continuously advertising or periodically advertising.</p> <p>Connection Interval range (for a peripheral):</p> <ul style="list-style-type: none"> ▪ 7.5 milliseconds to 4000 milliseconds in multiples of 1.25 milliseconds. <p>For a connection event (for a peripheral device):</p> <ul style="list-style-type: none"> ▪ The minimum average current consumption is when the connection interval is large (4000 milliseconds) ▪ The maximum average current consumption is with the shortest connection interval of 7.5 ms; no slave latency. <p>Other factors that are also related to average current consumption include:</p> <ul style="list-style-type: none"> ▪ Number packets per connection interval with each packet payload size ▪ An inaccurate 32.768 kHz master clock accuracy would increase the average current consumption. <p>Connection Interval range (for a central device):</p> <ul style="list-style-type: none"> ▪ 2.5 milliseconds to 40959375 milliseconds in multiples of 1.25 milliseconds.

5 PERIPHERALS

To provide the widest scope for integration, a variety of physical host interfaces/sensors are provided. The major BL5340PA series module functional blocks are described below (which are within the nRF5340). Peripherals not mentioned in this section can be looked up in the nRF5340 datasheet

https://infocenter.nordicsemi.com/topic/ps_nrf5340/keyfeatures_html5.html?cp=3_0_0

5.1 RADIO – 2.4GHz radio (RF)

- **2402–2480 MHz Bluetooth Low Energy (BLE) BT5.2 radio transceiver (nRF5340) and Front-End Module (nRF21540)**
 - -103 dBm RX sensitivity 1 Mbps BLE
 - -100 dBm RX sensitivity 2 Mbps BLE
 - -108.5 dBm RX sensitivity 125 kbps BLE coded PHY (s=8)
 - -106 dBm RX sensitivity 500 kbps BLE coded PHY (s=2)
 - Angle of Arrival (AoA) and Angle of Departure (AoD) direction finding using BLE
 - **MANDATORY.** RF Tx output power of programmable, see section 6.2.4 for actual radio regulatory RF TX power limit allowed for each regulatory region per BL5340PA module HW variant per PHY, per channel for FIXED Nordic default nRF21540 TX_Gain=POUTA_PROD=20dB±0.5dB.
 - nRF5340 RF TX power (for all RF TX power steps) with nRF5340 VREQCTRL MUST be turned OFF for BL5340PA.
- **2405–2480 MHz IEEE 802.15.5-2006 radio transceiver, implementing IEEE 802.15.5-2006 compliant**
 - 250 kbps, 2450 MHz, O-QPSK PHY
 - Channels 11-26. Channel 11 2405 MHz and CH26 2480 MHz
 - Clear channel assessment (CCA)
 - Energy detection (ED) scan
 - CRC generation
 - -107 dBm RX sensitivity IEEE 802.15.4-2006 250 kbps
 - **MANDATORY.** RF Tx output power programmable see section 6.2.4 for actual radio regulatory RF TX power limit allowed for each regulatory region per BL5340PA module HW variant per PHY, per channel for FIXED Nordic default nRF21540 TX_Gain=POUTA_PROD=20dB±0.5dB.
 - nRF5340 RF TX power (for all RF TX power steps) with nRF5340 VREQCTRL MUST be turned OFF for BL5340PA.
- **2402–2480 MHz proprietary 1 Mbps and 2 Mbps modes radio transceiver (not currently certified by Laird Connectivity)**
 - -TBD dBm RX sensitivity, 1 Mbps nRF proprietary mode (ideal transmitter)
 - -TBD dBm RX sensitivity, 2 Mbps nRF proprietary mode (ideal transmitter)
 - RF Tx output power of programmable, but actual radio regulatory RF TX power limit allowed for each regulatory region per BL5340PA module HW variant per PHY, per channel (for FIXED Nordic default nRF21540 TX_Gain=POUTA_PROD=20dB±0.5dB) not currently certified by Laird Connectivity.
 - RF TX power (for all RF TX power steps) with VREQCTRL MUST be turned OFF for BL5340PA.
- **RF interface available in the following two ways:**
 - 453-00068: RF connected to Integrated PCB trace antenna
 - 453-00076: RF connected to IPEX MHF4 RF connector
 - Antenna options: External dipole antennas connected with to IPEX MH4 RF connector module
- **Received Signal Strength Indicator (RSSI)**
 - RSSI accuracy (valid range -90 to -20dBm) is ±2dB typical
 - BL5340PA (has FEM RX LNA Gain of 13dB, so RSSI range becomes -103dBm to -33dBm)
 - RSSI resolution 1dB typical
 - Maximum Received Signal strength (at 0.1% PER) of -13dBm (gated by the FEM RX LNA gain of 13dB).

5.2 NFC Tag – Near field communication tag

The NFCT peripheral is an implementation of an NFC Forum listening device NFC-A. With appropriate software, the NFCT peripheral can be used as the listening device NFC-A as specified by the <https://nfc-forum.org/>

NFC support:

- Based on the NFC forum specification
 - 13.56 MHz
 - Data rate - 106 kbps
 - NFC Type2 and Type4 tag emulation
- Modes of operation:
 - Disable
 - Sense (Wake-on-field low power field detection (SENSE) mode)
 - Activated

5.2.1 Use Cases

- Touch-to Pair with NFC
- Launch a smartphone app (on Android)
- NFC enabled Out-of-Band Pairing
- System Wake-On-Field function
 - Proximity Detection

Table 10: NFC interface

Signal Name	Pin No	I/O	Comments
NFC1/P0.02	28	I/O	The NFC pins are by default NFC pins and an alternate function on each pin is GPIO.
NFC2/P0.03	26	I/O	

5.2.2 NFC Antenna Coil Tuning Capacitors

From Nordic's *nRF5340 datasheet*: https://infocenter.nordicsemi.com/topic/ps_nrf5340/keyfeatures_html5.html?cp=3_0_0

The NFC antenna coil must be the connected differential between the NFC1 and NFC2 pins of the BL5340PA. Two external capacitors should be used to tune the resonance of the antenna circuit to 13.56 MHz (Figure 8).

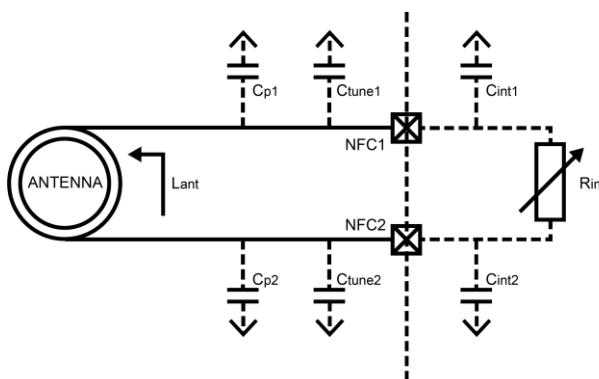


Figure 8: NFC antenna coil tuning capacitors

The required external tuning capacitor value is given by the following equations:

$$C_{tune} = \frac{2}{(2\pi \cdot 13.56 \text{ MHz})^2 \cdot L_{ant}} - C_p - C_{int}$$

An antenna inductance of $L_{ant} = 0.72 \mu\text{H}$ provides tuning capacitors in the range of 300 pF on each pin. The total capacitance on NFC1 and NFC2 must be matched. C_{int} and C_p are small usually (C_{int} is 4pF), so can omit from calculation.

Battery Protection Note: If the NFC coil antenna is exposed to a strong NFC field, the supply current may flow in the opposite direction due to parasitic diodes and ESD structures.

If the used battery does not tolerate a return current, a series diode must be placed between the battery and the BL5340PA to protect the battery.

For more details, see the [NFC flex PCB antenna \(Laird 0600-0061\) datasheet](#):

5.3 UARTE – Universal asynchronous receiver/transmitter with Easy DMA

The nRF5340 has 4 UARTs (with flow control CTS, RTS) on the Application Core and 1 UART (with flow control CTS, RTS) On the Network Core. Can be brought out on any GPIO pins. UARTE features:

- Full duplex operation
- Automatic hardware flow control
- Optional even parity bit checking and generation
- Easy DMA (for reading and writing to and from RAM)
- Upto 1Mbps baud rate. Baud rate accuracy depends on HFCLK source selected.
- Return to IDLE between transactions supported (when using HW flow control)
- One or two stop bits
- Least significant bit (LSB) first
- UART's can be brought out on any GPIOs and independently configurable.

The signaling levels are nominal 0 V and 3.3 V (tracks VDD) and are inverted with respect to the signaling on an RS232 cable.

Two-way hardware flow control is implemented by UART_RTS and UART_CTS. UART_RTS is an output and UART_CTS is an input. Both are active low.

These signals operate according to normal industry convention. UART_RX, UART_TX, UART_CTS, UART_RTS are all 3.3 V level logic (tracks VDD). For example, when RX and TX are idle, they sit at 3.3 V (tracks VDD). Conversely for handshaking pins CTS, RTS at 0 V is treated as an assertion.

The module communicates with the customer application using the following signals:

- Port/TxD of the application sends data to the module's UART_RX signal line
- Port/RxD of the application receives data from the module's UART_TX signal line

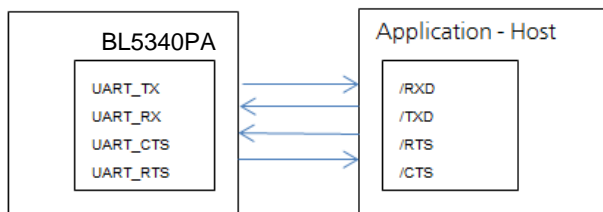


Figure 9: UART signals

Note: The BL5340PA serial module output is at CMOS logic levels (tracks VDD). Level convertor must be added to interface with an RS-232 level compliant interface.

Some serial implementations link CTS and RTS to remove the need for handshaking. We do not recommend linking CTS and RTS other than for testing and prototyping. If these pins are linked and the host sends data at the point that the BL5340PA deasserts its RTS signal, there is significant risk that internal receive buffers will overflow, which could lead to an internal processor crash. This will drop the connection and may require a power cycle to reset the module. We recommend you adhere to the correct CTS/RTS handshaking protocol for proper operation.

Table 11: GPIO used on DVK-BL5340PA to bring out UART0 and UART1 interfaces

Signal Name	Pin No	I/O	Comments
P0.20 / UART0_TX	14	O	P0.20 (alternative function UART0_TX) is an output, set high (in firmware). Application Core.
P0.22 / UART0_RX	12	I	GPIO_08 (alternative function UART0_RX) is an input, set with internal pull-up (in firmware). Application Core.
P0.19 / UART0_RTS	15	O	P0.19 (alternative function UART0_RTS) is an output, set low (in firmware). Application Core.
P0.21 / UART0_CTS	11	I	P0.21 (alternative function UART0_CTS) is an input, set with internal pull-down (in firmware). Application Core.
P1.08 / UART1_TX	7	O	P1.08 (alternative function UART1_TX) is an output, set high (in firmware). Network Core.
P1.10 / UART1_RX	57	I	P1.10 (alternative function UART1_RX) is an input, set with internal pull-up (in firmware). Network Core.
P1.07 / UART1_RTS	8	O	P1.07 (alternative function UART1_RTS) is an output, set low (in firmware). Network Core.
P1.09 / UART1_CTS	5	I	P1.09 (alternative function UART1_CTS) is an input, set with internal pull-down (in firmware). Network Core.

The GPIO pins in [Table 11](#) are used for UART0 and UART1 interface as assigned for DVK-BL5340PA dev board. UART's can be brought out on any GPIO pin on BL5340PA module.

Baud rate accuracy depends on HFCLK source selected.

High baud rates may require GPIOs to be set as High Drive.

5.4 USB D – Universal Serial Bus device

BL5340PA has USB2.0 FS (Full Speed, 12Mbps) hardware capability.

Table 12: USB interface

Signal Name	Pin No	I/O	Comments
D-	42	I/O	
D+	36	I/O	
VBUS	40		<p>To use the BL5340PA USB peripheral:</p> <ol style="list-style-type: none"> 1) Connect the BL5340PA VBUS pin to the external supply within the range 4.35V to 5.5V. When using the BL5340PA VBUS pin, you MUST externally fit a 4.7uF to ground. Ensure capacitor value reduction due to DC bias, AC bias, temperature is minimized. 2) Connect the external supply to both VDD and VDD_HV to operate the rest of BL5340PA module in Normal Voltage mode. <p>An optional series 4.7Ohms resistor on the USB supply (VBUS) can be fitted for improved immunity to transient over-voltage VBUS connection.</p> <p>If not using USB peripheral, the VBUS pin can be left unconnected.</p>

5.5 SPI Master – Serial Peripheral Interface master

The nRF5340 supports 4 x SPI master/slave interface (SPIM /SPIS) with easy DMA (on Application Core) and 1 x SPIM master/slave with easy DMA (on Network Core). For this any GPIO pin can be used.

The nRF5340 supports 1 x High Speed SPI master/slave interface (SPIM4) for the fastest SPIM mode (32Mbps) on the Application Core (when running at 128MHz), For SPIM4, dedicated GPIO pins must be used (see [Table 13](#)). SPIM4 supports Easy DMA direct transfer to and from RAM.

The SPIM interface enables full duplex synchronous communication between devices. It supports a 3-wire (SPI_MOSI, SPI_MISO, SPI_SCK,) bidirectional bus with fast data transfers to and from multiple slaves and optional D/CX output line for distinguishing between command and data bytes. Individual chip select signals are necessary for each of the slave devices attached to a bus, but control of these is left to the application.

The SPI peripheral supports SPI mode 0, 1, 2, and 3.

Table 13: High Speed SPI (SPIM4 32Mbps) interface dedicated pins

Signal Name	Pin No	I/O	Comments
P0.08/SPIM4_SCK	27	O	These dedicated GPIO pins must be used for 32Mbps high speed SPI using SPIM4, and drive strength configuration H0H1 must be used. Optional D/CX output line for distinguishing between command and data bytes. The D/CX line is set low during transmission of command bytes and high during transmission of data bytes.
P0.09/SPIM4_MOSI	25	O	
P0.10/SPIM4_MISO	22	I	
P0.11/SPIM4_CSN	23	O	
P0.12/SPIM4_DCX	20	O	

SPI Master (SPIM) maximum bit rate is 16Mbps and this may require GPIO to be set as High Drive strength. Other SPIM bit rates are 8Mbps, 4Mbps, 2Mbps, 1Mbps, 500kbps, 250kbps, 125kbps (and accuracy depends on HFCLK source selected).

High Speed SPIM (SPIM4) is 32Mbps and requires to dedicated GPIO pins (Application core when running at 128MHz). For other lower speed SPI, any GPIO pins can be used.

To secure correct behavior in the pins used by SPIM must be configured in the GPIO peripheral before enabling the SPI slave.

5.6 SPI Slave – Serial Peripheral Interface slave

The nRF5340 supports 4 x SPI master/slave interface (SPIM /SPIS) with easy DMA (on Application Core) and 1 x SPIM master/slave with easy DMA (on Network Core). For this any GPIO pin can be used.

SPI slave (SPIS) is implemented for ultra-low power communication from an external SPI master. Easy DMA in conjunction with hardware-based semaphore mechanism removes all real time requirements associated with controlling SPI slave from a low priority CPU execution context.

Maximum SPIS bit rate is 8Mbps and the actual maximum data rate depends on the masters CLK to MISO setup and hold timings. Also, this higher SPIS bit rate requires GPIO to be set as High Drive strength.

The MISO line is set in high impedance as long as the SPI slave is not selected with CSN.

To secure correct behavior in the slave SPI slave, the pins used by the SPI slave must be configured in the GPIO peripheral before enabling the SPI slave.

5.7 QSPI – Quad Serial Peripheral interface

The nRF5340 supports 1 x QSPI interface peripheral (on Application Core) for communicating with external flash memory device. The main features for QSPI peripheral are:-

- Single/dual/quad SPI input/output
- 6 to 96MHz configurable clock frequency
- Single-word read/write access from/to external flash
- Easy DMA for block read and write transfers
- Up to 48MB/sec Easy DMA read rate
- Execute in place (SIP) for executing program directly from external flash
- XIP (Execute in Place) access can be optional be disabled
- On-the-fly encryption and decryption including Easy DMA and XIP

For QSPI only the dedicated GPIO pins from [Table 14](#) shall be used.

Table 14: QSPI Interface dedicated pins

Signal Name	Pin No	I/O	Comments
P0.13/QSPI_IO0	24	IO	For QSPI only these dedicated GPIO pins must be used. The GPIO must use the high drive H0H1 (High 0 High 1) configuration. H0H1 is to do with slew rate.
P0.14/QSPI_IO1	62	IO	
P0.15/QSPI_IO2	18	IO	
P0.16/QSPI_IO3	17	IO	
P0.17/QSPI_CLK	16	O	
P0.18/QSPI_CSN	61	O	

For all high-speed signal, the printed circuit board (PCB) layout must ensure that connections are made using short PCB traces.

5.8 TWIM – I2C compatible 2-wire interface master

The nRF5340 supports 4 x TWI peripheral (on Application Core and 1 x TWI (on Network Core). The TWI master with Easy DMA (TWIM) is two wire half duplex master which can communicate with multiple slave devices to same bus. Main features of TWIM:

- I2C compatible
- Supported baud rates: 100, 250, 400 and 1000kbps. High bit rates or stronger pull-ups may require GPIOs set as High drive.
- High Speed TWI (1Mbps) is available on dedicated GPIO pins only)
- Support for clock stretching (non I2C compliant)
- EasyDMA

An I2C interface allows multiple masters and slaves to communicate over a shared wired-AND type bus consisting of two lines which normally sit at VDD. The SCL is the clock line which is always sourced by the master and SDA is a bi-directional data line which can be driven by any device on the bus. The protocol makes it possible to interconnect up to 127 individually addressable devices. TWIM is not compatible with CBUS.

IMPORTANT: It is essential to remember that pull-up resistors on both SCL and SDA lines are required. The value of the nRF5340 pull up resistor is 13K Ohms typical. For other values, fit external pull-up resistor on both SCL and SDA as per I2C specification to set speed. The I2C specification allows a line capacitance of 400pF.

Table 15: High speed TWIM (1Mbps) interface dedicated GPIO pins for proper operation

Signal Name	Pin No	I/O	Comments
P1.02/I2C_SDA	37	I/O	For the fastest TWI 1Mbps mode, the two dedicated high speed TWI pins must be configured and the 20mA open drain driver enabled using the E0E1 drive configuration. For the dedicated, high-speed TWIM pins on P1.02 and P1.03, the E0E1 drive configuration activates a powerful 20 mA open-drain driver specifically designed for high-speed TWI.
P1.03/I2C_SCL	38	I/O	

The GPIOs used for each two-wire interface can be chosen from any GPIO device and are independently configurable. This enables great flexibility in device pinout and efficient use of Printed Circuit Board space and signal routing.

To secure correct signal levels on the pins used for TWIM while is System OFF mode and when TWIM is disabled, the pins must be configured as in [Table 16](#).

Table 16: GPIO configuration before entering peripheral TWIM or TWIS

Signal Name	Pin No	I/O	Output value	Drive strength
I2C_SDA	As specified in PSEL.SCL	I	Not applicable	S0D1 (Standard 0 Disconnect 1)
I2C_SCL	As specified in PSEL.SDA	I	Not applicable	S0D1 (Standard 0 Disconnect 1)

5.9 TWIS – I2C compatible 2-wire interface master

TWI slave with EasyDMA (TWIS) is a two-wire half-duplex slave which can communicate with a master device connected to the same bus. Main features for TWIS:

- I²C compatible
- Supported baud rates: 100 and 400 kbps
- EasyDMA

To ensure lowest possible power consumption when the peripheral is not needed stop and disable TWIS.

5.10 GPIO – General Purpose Input /Output

The BL5340PA has 40 general purpose input /output pins (GPIO) are grouped as 2 ports, P0 port has 28 GPIOs and P1 port has 12 GPIOs. They can be accessed individually. Each has the following user configured features:

- Input/output direction
- Output drive strength (standard drive 0.5 mA or high drive 3mA, 5mA)
- Internal pull-up and pull-down resistors (13 K typical) or no pull-up/down or input buffer disconnect
- Wake-up from high or low-level triggers on all pins including NFC pins (Low power detection of pin state changes is possible when in System ON or System OFF)
- Trigger interrupt on state change on any pin (rising edge, falling edge, any change)

Note: When a pin is configured as digital input, care has been taken to minimize increased current consumption when the input voltage is between V_{IL} and V_{IH} . However, it is a good practice to ensure that the external circuitry does not drive that pin to levels between V_{IL} and V_{IH} for a long period of time.

There are additional 8 GPIO's that are connected used to control FEM (nRF21540) inside the BL5340.

5.11 SAADC – Successive approximation analog-to-digital convertor

The nRF5340 has differential successive approximation register analog to digital convertor (SAADC). Main features of SAADC:

- SAADC on Application Core
- 8/10/12-bit resolution and 14-bit resolution with oversampling
- Multiple analog inputs:
 - AIN0 to AIN3, AIN5 to AIN7 pins
 - VDD pin
 - VDDHDIV5 (through VDDH pin)
- 8 input channels:
 - One channel per singled ended input and two channels per differential input
 - Scan mode can be configured with both single ended channels and differential channels
 - Each channel can be configured to select any of the above analog inputs
- Full scale input range (0 to VDD)
- Sampling triggered via a task from software or a PPI channel for full flexibility on sample frequency source from low power 32.768kHz RTC or more accurate 1/16MHz timers
- One-shot conversion mode to sample a single channel
- Scan mode to sample a series of channels in sequence with configurable sample delay
- Support for direct sample transfer to RAM using Easy DMA
- Interrupts on single sample and full buffer events
- Sample stored as 16-bit two's compliment values for differential and single ended sampling
- Continuous sampling without the need of an external timer
- Internal resistor string
- On-the-fly limit checking

The ADC can coexist with COMP and other peripherals using one of the AIN0-AIN7 provided these are assigned to different pins. It is not recommended to select the same analog input for both modules.

BL5340PA provides access to 7-channel 8/10/12-bit successive approximation ADC in one-shot mode. This enables sampling up to 7 external signals through a front-end MUX. The ADC has configurable input and reference pre-scaling and sample resolution (8, 10, and 12 bit).

Table 17: Analog interface on dedicated pins

Signal Name	Pin No	I/O	Comments
NC (was P0.04/AIN0 – Analog Input on BL5340)	63	NC	This interface is an alternate function on each pin, configurable. Configurable 8, 10, 12-bit resolution.
P0.05/AIN1 – Analog Input	46	I	14-bit resolution with oversampling
P0.06/AIN2 – Analog Input	64	I	Eight 8/10/12-bit channels on AIN0-AIN7 or VDD or VDDH/5
P0.07/AIN3 – Analog Input	65	I	Configurable reference internal reference 0.6V or external reference VDD/4
P0.25/AIN4 – Analog Input	6	I	Configurable pre-scaling of 4, 2, 1, 1/2, 1/3, 1/4, 1/5 1/6
P0.26/AIN5 – Analog Input	2	I	Configurable acquisition time 3uS, 5uS, 10uS, 15uS, 20uS, 40uS.
P0.27/AIN6 – Analog Input	4	I	One-shot mode or Burst mode
P0.28/AIN7 – Analog Input	53	I	Scan mode for multiple channels
			Single ended or Differential or not connected

5.12 COMP – Comparator

The comparator (COMP) compares an input voltage (VIN+) against a second input voltage (VIN-). VIN+ can be derived from an analog input pin (AIN0-AIN3 and AIN5-AIN7). VIN- can be derived from multiple sources depending on the operation mode of the comparator.

COMP features include:

- Input range from 0V to VDD
- Single-ended mode
 - Fully flexible hysteresis using 64-level reference ladder
- Differential mode
 - Configurable hysteresis
- Reference input (VREF)
 - VDD
 - External reference from AIN0 to AIN7 (between 0V to VDD)
- Three speed/power consumption modes:
 - Low power
 - Normal
 - High speed
- Single pin capacitive sensor support
- Event generation on output changes

5.13 LPCOMP – Low power comparator

Low Power comparator (LPCOMP) compares an input voltage against reference voltage.

LCOMP features include:

- 0V – VDD input range
- Ultra low power
- Seven input options (AIN0 to AIN3 and AIN5 to AIN7)
- Reference voltage options:
 - Two external analog reference inputs, or
 - 15-level internal reference ladder (VDD/16)
- Optional hysteresis-enable on input
- Can be used as a wakeup source from SYSTEM OFF mode

5.14 PWM – Pulse Width Modulation

The pulse width modulation (PWM) module allows the generation of PWM signals on GPIO. The module implements an up or up and-and-down counter with 4 x PWM channels (on Application Core) that drive assigned 4 x GPIOs. There are 4 x PWM units with Easy DMA.

PWM features include:

- Programmable PWM frequency
 - Prescaler of PWM_CLK: divide by 1(16MHz), divide by 2(8MHz), divide by 4(4MHz), divide by 8(2MHz), divide by 16(1MHz), divide by 32(500kHz), divide by 64(250kHz), divide by 128(125kHz)
- Up to four PWM channels with individual polarity and duty cycle values
- Edge or center-aligned pulses across PWM channels
- Multiple duty cycle arrays (sequences) defined in RAM
- Autonomous and glitch-free update of duty cycle values directly from memory through Easy DMA (no CPU involvement)
- Change of polarity, duty cycle and base frequency possibly on every PWM period
- RAM sequences can be repeated or connected into loops.

The **PWM output** signal has a frequency and duty cycle property. Frequency is adjustable (up to 16 MHz) and the duty cycle can be set over a range from 0% to 100%.

There is a trade-off between PWM output frequency and resolution.

For example:

- PWM output frequency of 500 kHz (2 uS) results in resolution of 1:2.
- PWM output frequency of 100 kHz (10 uS) results in resolution of 1:10.
- PWM output frequency of 10 kHz (100 uS) results in resolution of 1:100.
- PWM output frequency of 1 kHz (1000 uS) results in resolution of 1:1000.

5.15 TIMER – Timer/counter

There are 3 x 32-bit TIMER peripheral with counter mode (on Application Core and Network Core) and is a general-purpose timer allowing time intervals to be defined by user input. It can operate in two modes (Timer mode and Counter mode).

TIMER runs on HFCLK source and includes 4-bit (1/2X) prescaler that can divide the timer input clock from the HFCLK controller. TIMER base frequency is always 16MHz divided by the prescaler value.

In Timer mode, TIMER's internal counter register is incremented by one for every tick of the timer frequency f_{TIMER} . The timer frequency is derived from PCLK16M and using value specified in the prescaler register.

$$f_{TIMER} = 16MHz / (2^{PRESCLAR})$$

When $f_{TIMER} \leq 1MHz$, TIMER uses PCLK1M instead of PCLK16M for reduced power consumption.

In Counter mode, the timer frequency and prescaler are not utilized but the TIMER's internal counter register is incremented by one each time the COUNT Task is triggered.

5.16 RTC – Real Timer Counter

There are 2 x 24-bit real timer counter (RTC) on Application Core and 2 x RTC on Network Core. The real time counter (RTC) module provides a generic, low power timer on the low frequency clock source (LFCLK). When started, the RTC will automatically request LFCLK source with RC oscillator if the LFCLK is not already running.

5.17 TEMP – Temperature sensor

TEMP sensor in the Network Core.

Main features of TEMP are:

- Temperature range is greater than or equal to operating temperature range of nRF5340 device
- Resolution is 0.25°C degrees
- The on-silicon temperature sensor accuracy is $\pm 5^\circ C$ (for TEMP sensor range $-20^\circ C$ to $+70^\circ C$)
- The on-silicon temperature sensor accuracy is $\pm 7^\circ C$ (for TEMP sensor range $-40^\circ C$ to $+105^\circ C$)
- To achieve the measurement accuracy stated, the crystal oscillator must be selected as the HFCLK source
- When the temperature measurement is completed, TEMP analog electronics power down to save power
- TEMP only supports one-shot operation, meaning that every TEMP measurement must be explicitly started
- Time required for temperature measurement 36us typical
- Linearity compensation can be implemented if required by the application

5.18 Security/Privacy

nRF5340 contains Arm TrustZone CryptoCell™ -312 security subsystem on the Application Core:

- NIST 800-90B, AIS-31, and FIPS 140-2 compliant random number generator
- AES-128 and 256: ECB, CBC, CMAC/CBC-MAC, CTR, CCM/CCM*, GCM
- SHA-1, SHA-2 up to 256 bits
- Keyed-hash message authentication code (HMAC)
- RSA public key cryptography with up to 3072-bit key size
- ECC support for most used curves
- Application key management using derived key model

5.19 RNG – Random number generator

The Network Core has 1 x Random Number Generator (RNG) that generates true non-deterministic random numbers based on internal thermal noise that are suitable for cryptographic purposes. The RNG does not require a seed value.

5.20 I2S – Inter-IC sound interface

The I2S (Inter-IC-Sound Interface) module supports the original two channel I2S format and left or right aligned formats. It implements EasyDMA for sample transfer directly to and from RAM without CPU intervention.

The I2S peripheral main features include:

- Master and Slave mode
- Simultaneous bidirectional (TX and RX) audio streaming
- Original I2S and left or right aligned format
- 32, 24, 16, 8-bit sample width
- Separate sample and word widths
- Low-jitter master clock generator
- Various sample rates

The MCK, SCK, LRCK, SDIN and SDOUT signals associated with the I2S module are mapped to GPIO pins selected when the I2S module is enabled. When a pin is acquired by the I2S module, the direction of the pin (input or output) will be configured automatically and any pin direction setting done in the GPIO module will be overwritten. The directions for the I2S pins is shown in [Table 18](#) and [Table 19](#) below.

To secure correct signal levels on the pins in System OFF mode and when I2S module is disabled, these pins must be configured in the GPIO peripheral directly.

Table 18: I2S Master interface signals before enabling peripheral

Signal Name	Pin No	I/O	Output value	Comments
MCK	Any GPIO	O	0	I2S master
LRCK	Any GPIO	O	0	
SCK	Any GPIO	O	0	
SDIN	Any GPIO	I	Not applicable	
SDOUT	Any GPIO	O	0	

Table 19: I2S Slave interface signals before enabling peripheral

Signal Name	Pin No	I/O	Output value	Comments
MCK	Any GPIO	O	0	I2S slave
LRCK	Any GPIO	I	Not applicable	
SCK	Any GPIO	I	Not applicable	
SDIN	Any GPIO	I	Not applicable	
SDOUT	Any GPIO	O	0	

5.21 PDM – Pulse Density Modulation interface and digital microphones

The pulse density modulation (PDM) module enables input of PDM signals from external audio frontends, such as digital microphones. The PDM peripheral generates the PDM clock and supports single or dual channel (left and right) data input. Data is transferred directly to RAM buffers using EasyDMA.

The PDM peripheral main features include:

- Up to two PDM microphones configured as left/right pair using the same data input
- 16 kHz output sample rate, 16-bit samples
- EasyDMA support for sample buffering
- HW decimation filters
- Selectable ratio of 64 or 80 between PDM_CLK and output sample rate

Table 20: PDM interface signals

Signal Name	Pin No	I/O	Comments
DIN	Any GPIO	I	In Application Core
CLK	Any GPIO	O	

PDM can be configured with a single microphone (mono), or with two microphones. When a single microphone is used, connect the microphone clock to CLK, and data to DIN.

If two microphones are used, one of them has to be set as left, the other as right (L/R pin tied high or to GND on the respective microphone). It is strongly recommended to use two microphones of exactly the same brand and type so that their timings in left and right operation match.

To ensure correct operation in the PDM module, the pins used by PDM module must be configured in the GPIO peripheral before enabling the PDM module. This is to ensure that the pins used by the PDM module are driven correctly if the PDM module itself is temporarily disabled or the device temporarily enters System OFF. This configuration must be retained in the GPIO for the selected I/O's as long as the PDM module is supposed to be connected to an external PDM circuit. Only one peripheral can be assigned to drive a particular GPIO pin at a time. Failing to do so may result in unpredictable behavior.

5.22 QDEC – Quadrature decoder

The Quadrature decoder (QDEC) provides buffered decoding of quadrature encoded sensor signals. It is suitable for mechanical and optical sensors. QDEC is a 3-pin interface to the off-module quadrature encoder. There are 2 x QDEC in the Application Core.

The QDEC main features include:

- Sample period and accumulation are configurable to match application requirements
- Decoding of digital waveform from off-chip quadrature encoder
- Sample accumulation eliminating hard real time requirements to be enforced on application
- Optional input debounce filters
- Optional LED output signal for optical encoders

To secure correct behavior in the QDEC the pins used by the QDEC must be configured in the GPIO peripheral as shown in [Table 21](#) before enabling the QDEC. Only one peripheral can be assigned to drive a particular GPIO pin at a time. Failing to do so may result in unpredictable behavior.

Table 21: QDEC interface signals before enabling peripheral

Signal Name	Pin No	I/O	Output value	Comments
Phase A	Any GPIO	I	Not applicable	
Phase B	Any GPIO	I	Not applicable	
LED	Any GPIO	I	Not applicable	

5.23 nRESET – pin reset

Table 22: nRESET pin

Signal Name	Pin No	I/O	Comments
nRESET	54	I	BL5340PA HW reset (active low). The reset pin must be held low (for 0.2uS TBC) to generate a valid reset. Reset time when using pin reset, depending on pin capacitance. 500nF capacitance on reset pin: 13mS (Typ), 40mS (max), 10uF capacitance on reset pin: 260mS (Typ), 800mS (max), e.g., approximately $t=5RC$ where R is the internal pullup 13K Ohms typical enabled.

A reset in the system is triggered by either a system level or core level reset source. A system level reset will reset all cores. Examples of system level reset are Power-on reset, brownout reset and pin reset. Examples of core level reset are soft reset or lockup will reset either entire core or only part of it. Refer to the nRF5340 datasheet for more details
https://infocenter.nordicsemi.com/topic/ps_nrf5340/keyfeatures_html5.html?cp=3_0_0

5.24 SWD – Two-wire interface

It is mandatory for the customer to wire out the BL5340PA SWD two-wire serial interface on host design for purposes of programming firmware and debug. See [Figure 10](#) where the following four lines should be wired out: SWDIO, SWDCLK, GND and VDD).

SWO (P0.11) is a Trace output (called SWO, Serial Wire Output) and is not necessary for programming BL5340PA over the SWD interface.

nRESET_BLE is necessary for programming BL5340PA over the SWD interface.

Table 23: Signals for Firmware and Debug

Signal Name	Pin No	I/O	Comments
SWDIO	55	I/O	Internal pull-up resistor (13K)
SWDCLK	56	I	Internal pull-down resistor (13K)
nRESET	54	I	Internal pull-up resistor (13K)
GND			
VDD			

The Laird Connectivity development board incorporates an on-board USB-to SWD J-link programmer for this purpose.

The SWD connector MPN is as follows:

Table 24: SWD Connector MPN

Reference	Part	Description and MPN (Manufacturers Part Number)
P1	FTSH-105	Header, 1.27mm, SMD, 10-way, FTSH-105-01-L-DV Samtech

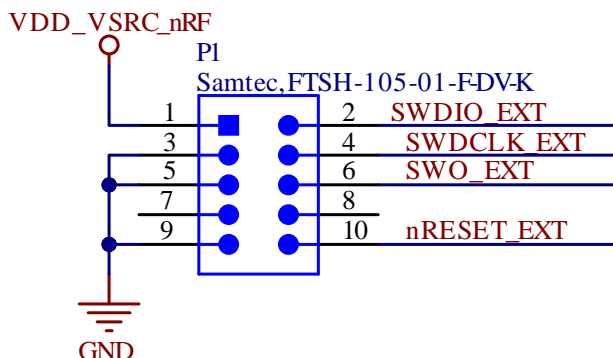


Figure 10: SWD BL5340PA development board schematic

5.25 Peripheral Block Current Consumption

The values below are calculated for a typical operating voltage of 3V (Normal voltage mode).

Table 25: Common conditions of 3V operating voltage

Condition	Value	Note
Supply	3V on VDD/VDD_HV(Normal voltage mode)	
Temperature	25°C	
CPU	(WFI(wait for interrupt)/WFE(wait for event) sleep	
Peripherals	All idle	
Clock	HFCLK = HFINT @64MHz, LFCLK=not running	
Regulator	DCDC ON for VREGMAIN, VREGADIO and VREGH (when used)	
Application core RAM	8kB	In System ON, RAM value refers to the amount of RAM that is switched on. The remainder of RAM is non retained. In System OFF, RAM value refers to amount of RAM that is retained.
Application core RAM	0kB	
Cache enabled	Yes	Only applies when the CPU is running from flash memory.
Network core Forced off	yes	
32MHz crystal	yes	Only applies when the high frequency crystal oscillator (HF XO) is running. HF XO is used when the radio is running
32.768kHz crystal	yes	Only applies when the low frequency crystal oscillator (LF XO) is running.

Table 26: UART power consumption

Parameter	Min	Typ		Max	Unit
		WITH DCDC	WITH LDO		
UARTE RX idle (started, waiting for data, no data transfer)	-	645	-	-	uA
UARTE RX idle (started, waiting for data, no data transfer), clock=HF XO64M	-	840	-	-	uA
UART transferring data @ 1200 bps clock=HF XO64M	-	885	-	-	uA
UART transferring data @ 115200 bps clock=HF XO64M	-	890	-	-	uA
UART receiving data @ 115200 bps clock=HF XO64M	-	890	-	-	uA
UART transmitting and receiving data @ 115200 bps clock=HF XO64M	-	895	-	-	uA
UART Baud rate	1	-	-	1000	kbps

Table 27: SPIM and SPIS power consumption

Parameter	Min	Typ		Max	Unit
		WITH DCDC	WITH LDO		
SPI Master transferring data @ 2 Mbps	-	935	-	-	uA
SPI Master transferring data @ 2 Mbps, clock=HF XO64M	-	1145	-	-	uA
SPI Master transferring data @ 8 Mbps	-	1705	-	-	uA
SPI Master transferring data @ 8 Mbps, clock=HF XO64M	-	1930	-	-	uA
SPI Master transferring data @ 32 Mbps	-	2115	-	-	uA
SPI Master transferring data @ 32 Mbps, clock=HF XO64M	-	2345	-	-	uA
SPIS configured and idle (enabled, no CSN activity)	-	145	-	-	uA
SPIS transferring data @ 2Mbps	-	713	-	-	uA
SPIS transferring data @ 2 Mbps, clock=HF XO64M	-	913	-	-	uA

Table 28: TWIM and TWIS (I2C) power consumption

Parameter	Min	Typ		Max	Unit
		WITH DCDC	WITH LDO		
TWIM transferring data @100kbps	-	965	-	-	uA
TWIM transferring data @100kbps, clock=HF XO64M	-	1170	-	-	uA
TWIM transferring data @400kbps	-	1000	-	-	uA
TWIM transferring data @400kbps, clock=HF XO64M	-	1250	-	-	uA
TWIM transferring data @1000kbps	-	2050	-	-	uA
TWIM transferring data @1000kbps, clock=HF XO64M	-	2295	-	-	uA
TWIS configured and enabled (IDLE state)	-	45	-	-	uA
TWIS transferring data @100kbps	-	945	-	-	uA
TWIS transferring data @400kbps	-	985	-	-	uA
TWIS transferring data @100kbps, clock=HF XO64M	-	1150	-	-	uA
TWIS transferring data @400kbps, clock=HF XO64M	-	1185	-	-	uA

Table 29: ADC power consumption

Parameter	Min	Typ		Max	Unit
		WITH DCDC	WITH LDO		
ADC current during conversion SAADC sampling @16ksps, acquisition time =20uS, clock HF XO	-	980	-	-	uA
SAADC sampling @1kHz from RTC intask mode, LPOP=Lowlat, acquisition time =20uS, clock HFINT64M and LF XO	-	770	-	-	uA
SAADC sampling @1kHz from RTC in task mode, LPOP=LowPower, acquisition time =20uS, clock HFINT64M and LF XO	-	160	-	-	uA

Table 30: COMP and LCOMP power consumption

Parameter	Min	Typ		Max	Unit
		WITH DCDC	WITH LDO		
COMP enabled, Low power mode	-	60	-	-	uA
COMP enabled, normal power mode	-	62	-	-	uA
COMP enabled, High power mode	-	68	-	-	uA
LCOMP enabled	-	45	-	-	uA

Table 31: QSPI power consumption

Parameter	Min	Typ		Max	Unit
		WITH DCDC	WITH LDO		
QSPI idle (enabled, but not activated)	-	45	-	-	uA
QSPI active (activated, but not transferring data)	-	1790	-	-	uA
QSPI active (activated and transferring data to /from external flash memory), SCKFREQ=96MHz, quad mode, clock=HF XO192M	-	4430	-	-	uA

Table 32: NFC power consumption

Parameter	Min	Typ		Max	Unit
		WITH DCDC	WITH LDO		
System ON, current in SENSE STATE (this current does not apply when in NFC field)	-	1.3	-	-	uA
System ON, current in ACTIVATED STATE, clock=HF XO64M	-	1080	-	-	uA

Table 33: PWM power consumption

Parameter	Min	Typ		Max	Unit
		WITH DCDC	WITH LDO		
PWM running at 125kHz, top=10, duty=50%	-	560	-	-	uA
PWM running at 16MHz, top=10, duty=50%	-	560	1035	-	uA
PWM running at 125kHz, top=10, duty=50%, clock=HF XO64M	-	750	-	-	uA
PWM running at 16MHz, top=10, duty=50%, clock=HF XO64M	-	755	-	-	uA

Table 34: TIMER power consumption

Parameter	Min	Typ		Max	Unit
		WITH DCDC	WITH LDO		
One TIMER running @1MHz	-	475	-	-	uA
One TIMER running @1MHz, clock=HF XO64M	-	670	-	-	uA
One TIMER running @16MHz	-	560	1040	-	uA
One TIMER running @16MHz, clock=HF XO64M	-	750	1280	-	uA
One TIMER running @16MHz, clock=HFINT28M	-	750	-	-	uA
One network TIMER running @1MHz	-	170	-	-	uA
One network TIMER running @1MHz, clock=HF XO64M	-	400	-	-	uA
One network TIMER running @16MHz	-	220	-	-	uA

Table 35: WDT power consumption

Parameter	Min	Typ		Max	Unit
		WITH DCDC	WITH LDO		
Application MCU WDT started	-	2.0	4.9	-	uA
Network MCU started, 64kB network RAM	-	3.2	-	-	uA

Table 36: TEMP Power Consumption

Parameter	Min	Typ		Max	Unit
		WITH DCDC	WITH LDO		
TEMP started, 64kB network RAM	-	615	-	-	uA

Table 37: RNG power consumption

Parameter	Min	Typ		Max	Unit
		WITH DCDC	WITH LDO		
RNG running, 64kB network RAM	-	270	-	-	uA

Table 38: QDEC power consumption

Parameter	Min	Typ		Max	Unit
		WITH DCDC	WITH LDO		
QDEC running	-	460	-	-	uA

Table 39: PDM power consumption

Parameter	Min	Typ		Max	Unit
		WITH DCDC	WITH LDO		
PDM receiving and processing data @1Msps (RATIO=64, PDMCLKCTRL=135274496), stereo mode, clock=HF XO64M	-	655	-	-	uA
PDM receiving and processing data @1Msps (RATIO=64, PDMCLKCTRL=3435997056), stereo mode, clock=HF XO64M	-	1045	-	-	uA

Table 40: I2S power consumption

Parameter	Min	Typ		Max	Unit
		WITH DCDC	WITH LDO		
I2S transferring data @ 2x16bitx16kHz (CONFIG.MCKFREQ=32MDIV63, CONFIG.RATIO=32X), clock=HF XO64M	-	2000	-	-	uA
I2S transferring data @ 2x16bitx16kHz (CONFIG.MCKFREQ=510000, CONFIG.RATIO=32X), clock=HF XO ACLK@12.288MHz	-	2170	-	-	uA
I2S transferring data @ 2x16bitx48kHz (CONFIG.MCKFREQ=505286656, CONFIG.RATIO=32X), clock=HF XO ACLK@12.288MHz	-	2310	-	-	uA

Table 41: USB active power consumption

Parameter	Min	Typ		Max	Unit
		WITH DCDC	WITH LDO		
Current from VBUS supply, USB active	-	1.2	-	-	uA
Current from VBUS supply, USB suspended, CPU sleeping	-	180	-	-	uA
Current from VDD supply (normal voltage mode), all RAM retained, CPU running, USB active	-	3.0	-	-	uA
Current from VDD supply (normal voltage mode), all RAM retained, CPU running, USB suspended	-	815	-	-	uA
Current from VDD supply (normal voltage mode), all RAM retained, CPU sleeping, USB suspended, regulator = LDO	-	135	-	-	uA
Current from VDDH supply (high voltage mode), VDD=3 V (VREGH output), all RAM retained, CPU running, USB active	-	3.2	-	-	uA
Current from VDDH supply (high voltage mode), VDD=3 V (VREGH output), all RAM retained, CPU sleeping, USB suspended	-	2340	-	-	uA
Current from VDDH supply (high voltage mode), VDD=3 V (VREGH output), all RAM retained, CPU sleeping, USB suspended, regulator = LDO	-	125	-	-	uA
Current from VDD supply, USB disabled, VBUS supply connected, all RAM retained, CPU sleeping	-	3	-	-	uA

The above current consumption is for the given peripheral including the internal blocks that are needed for that peripheral for both the case when DCDC is on and off. The peripheral Idle current is when the peripheral is enabled but not running (not sending data or being used) and must be added to the System ON Idle current. In all cases radio is not turned on.

For asynchronous interface, like the UART (asynchronous as the other end can communicate at any time), the UART on the BL5340PA must be kept open, resulting in the base current consumption penalty.

For a synchronous interface like the I2C or SPI (since BL5340PA side is the master), the interface can be closed and opened when needed, resulting in current saving (no base current consumption penalty). There's a similar argument for ADC (open ADC when needed).

5.26 453-00068 On-Board PCB Trace Antenna Characteristics

The 453-00068 on-board PCB trace monopole antenna radiated performance depends on the host PCB layout.

The BL5340PA development board was used for BL5340PA development and the 453-00068 PCB antenna performance evaluation. To obtain similar performance, follow guidelines in section 8.2 [Host PCB Land Pattern and Antenna Keep-out for the 453-00068](#) to allow the on-board PCB antenna to radiate and reduce proximity effects due to nearby host PCB GND copper or metal covers.

Antenna Efficiency	2402MHz		2440MHz		2480MHz	
	Peak	Avg	Peak	Avg	Peak	Avg
453-00068 PCB trace antenna	+0.2dBi	-4.24dBi	+1.49dBi	-3.19dBi	+1.39dBi	-3.27dBi

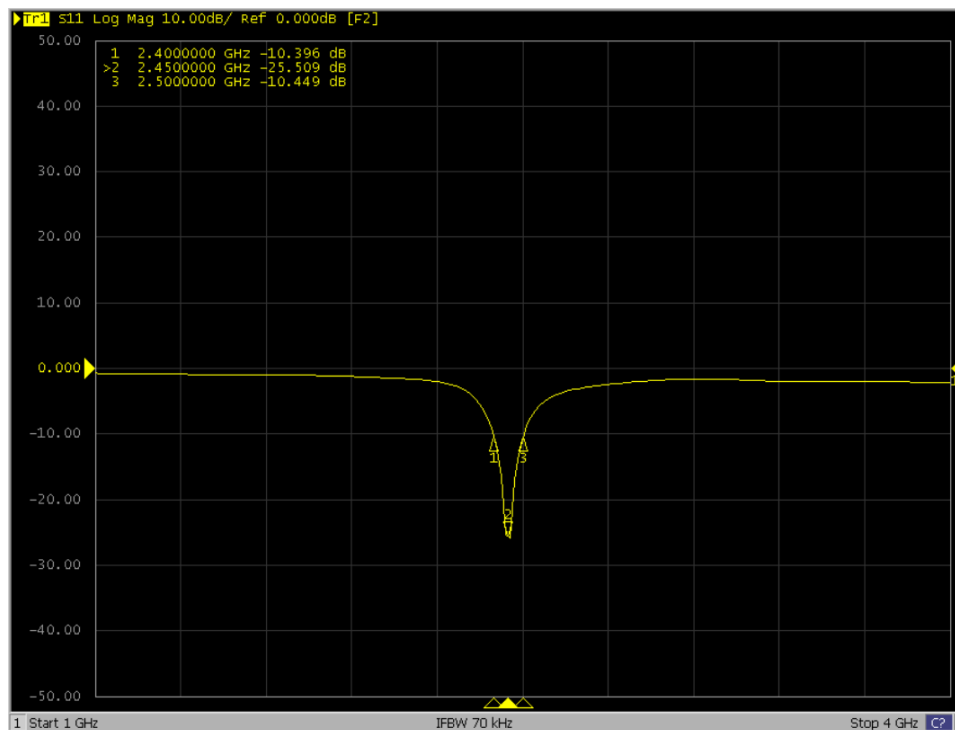
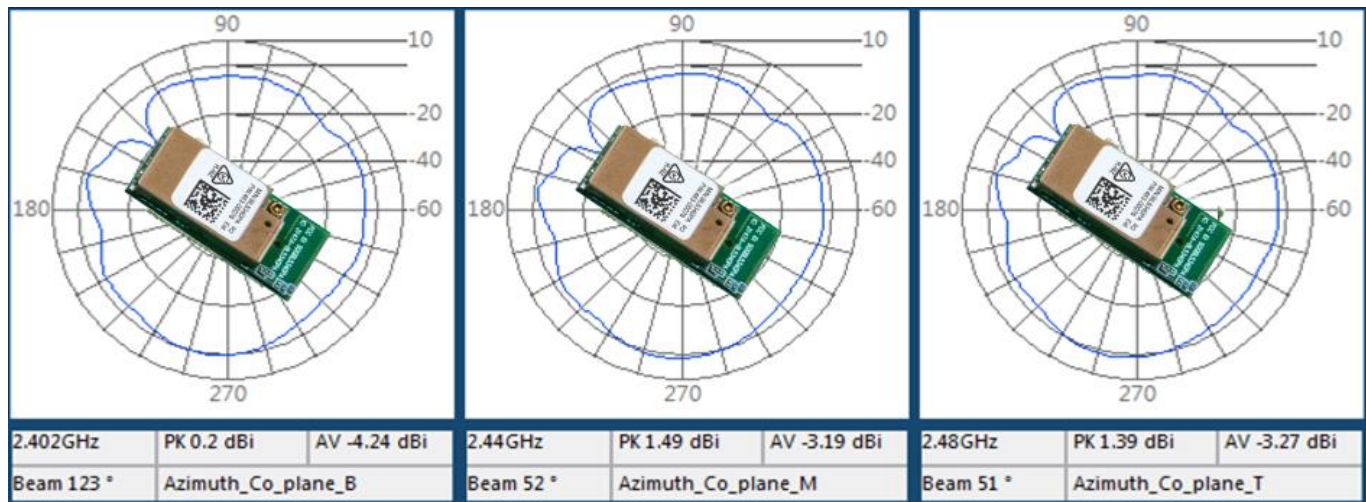


Figure 11: 453-00068 on-board PCB antenna performance (Antenna Gain and S11 – whilst 453-00068 module sitting on Devboard 453-00068-K1)

6 MANDATORY SW REQUIREMENTS RELATED TO HARDWARE

6.1 32MHz crystal internal load capacitor setting of 13.5pF (nRF5340)

MANDATORY. BL5340PA module contains the 32 MHz crystal but the load capacitors to create 32 MHz crystal oscillator circuit are inside the nRF5340 chipset. Customer **MUST** set the internal nRF5340 capacitors to 13.5 pF (for proper operation of the 32 MHz crystal circuit in the BL5340PA module).

6.2 MANDATORY SW REQUIREMENTS – FRONT END MODULE (FEM) nRF21540 CONTROL AND REGULATORY LIMITS FOR MAXIMUM RF TX POWER with FIXED default FEM TX_Gain=20dB

BL5340PA module does not ship with any FW. The BL5340PA **must** be used with the Laird Connectivity fork of the Nordic nRF Connect SDK (Zephyr) found at https://github.com/LairdCP/bl5340pa_manifest. The front-end module (FEM) driver limits the RF power output to be compliant with radio regulatory certifications achieved for the BL5340PA.

Customer is responsible for developing their end application SW and that operates BL5340PA within regulatory RF TX power limits defined in this section.

The below information covers the:

- Control of the nRF21540 FEM (BL5340PA developed using GPIO pin control, NOT SPI)
- BL53450PA certified
 - FCC, ISED, RCM(Australia and New Zealand) radio regulatory regions use:-
 - FIXED Nordic (chip to chip) programmed default nRF21540 FEM power amplifier POUTA_PROD=TX_Gain=20dB±0.5dB (chip to chip)
 - CE (Europe), UKCA (UK) radio regulatory regions use:-
 - FIXED nRF21540 FEM TX_Gain=index 23 decimal (~18dB) sent over SPI is sent every time when nRF21540 comes out of power down via SPI between nRF5340 to nRF21540
- nRF5340 RF TX output level (into nRF21540 FEM Power amplifier) maximum allowed for each regulatory region for each PHY, each channel for each BL5340PA module HW variant.
- BL5340PA final RF TX output power that is certified for each regulatory region for each PHY, each channel for each BL5340PA module HW variant.

6.2.1 FEM (nRF21540) to nRF5340 Wiring Inside the BL5340PA and FEM control via GPIO

Figure 12 shows the nRF21540 FEM to nRF5340 connections inside the BL5340PA.

nRF21540 FEM radio control (of radio RF TX and RX)) by GPIO PIN control and the SPI Interface is only for setting FEM nRF21540 TX_Gain for power amplifier.

- **GPIO PIN control** (TX_EN, RX_EN, PDN, CSN), that is 4 pins. This gives the RF TX and RX functionality but no FEM TX_Gain control (**Note1**). PIN control actually needs 3 pins (TX_EN, RX_EN and PDN) but CSN pin is also needed for RX_EN control. GPIO pin control of the FEM nRF21540 will be part of the lower layers (BLE) so will not be user application dependent. When enabled and configured it will run automatically.
- **SPI control** (MISO, MOSI, SCK, CSN, PDN), that is 5pins. SPI **MUST** be used for setting FEM TX_Gain only and not for radio control in the BL5340PA. Cannot use SPI interface when radio being used.

Note1: For the FCC, ISED, RCM (Australia and New Zealand), **BL53450PA** currently certified for FIXED Nordic default nRF21540 FEM power amplifier POUTA_PROD=TX_Gain=20dB only, therefore cannot modify nRF21540 TX_Gain=20dB from this default value.

For the CE (Europe), UKCA(UK), the **BL53450PA** currently certified for a FIXED nRF21540 FEM power amplifier TX_Gain=~18dB (index 23decimal) only, therefore cannot modify from this this fixed value. This TX_Gain= index 23 decimal (~18dB) is sent every time when nRF21540 comes out of power down via SPI between nRF5340 to nRF21540.

See nRF21540 datasheet:

https://infocenter.nordicsemi.com/index.jsp?topic=%2Fps_nrf21540%2Fkeyfeatures_html5.html&cp=7_0_0 for details.

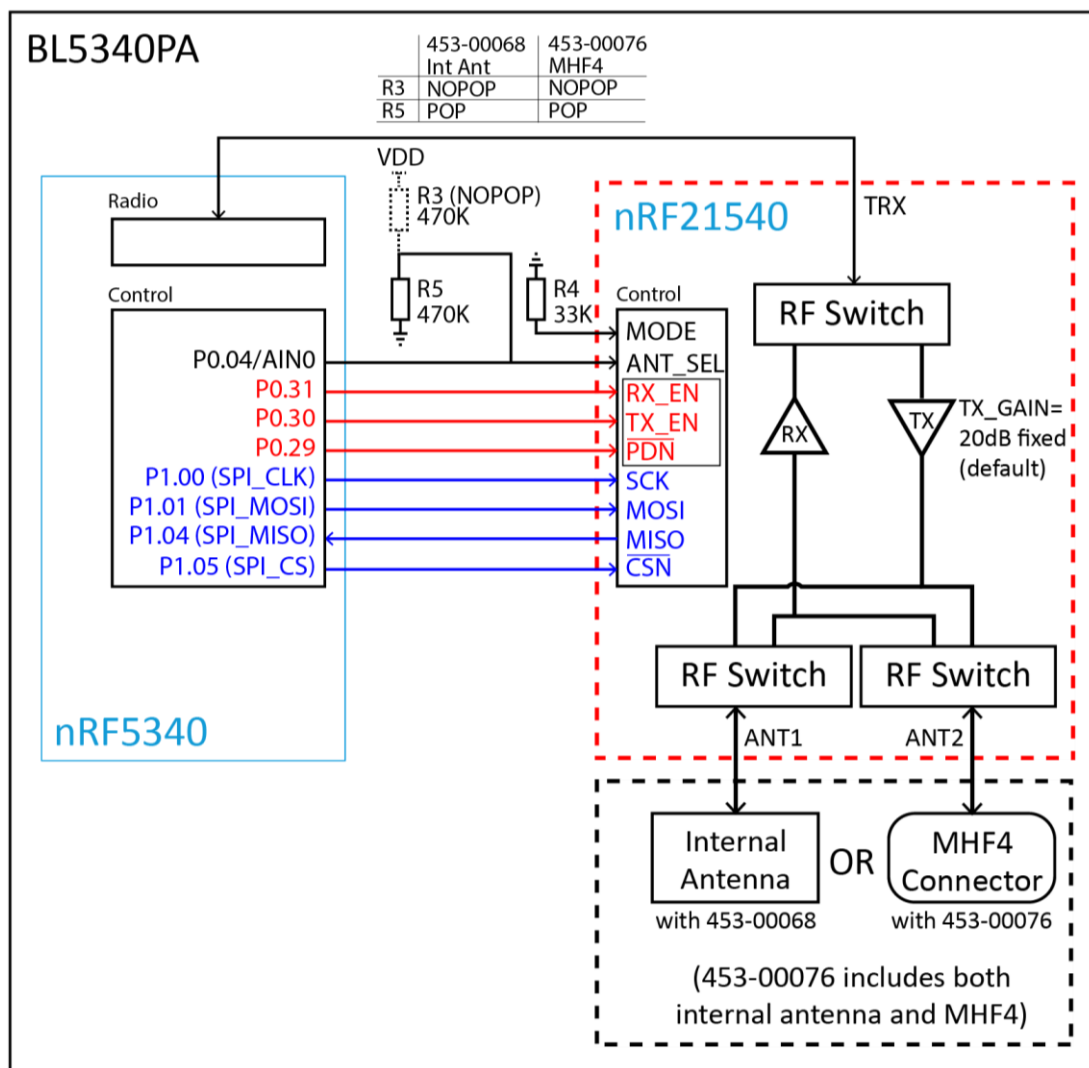


Figure 12: Block Diagram of Front End Module (FEM) nRF21540 Control

nRF5340 GPIO/SPI	nRF5340 signal direction	nRF21540 FEM signal	nRF21540 FEM signal type	nRF21540 FEM signal description
		MODE	Digital IN	TX power mode
P0.31	Digital out	RX_EN	Digital IN	RX mode enable
P0.04/AIN0	Digital out	ANT_SEL	Digital IN	Antenna select
P0.30	Digital out	TX_EN	Digital IN	TX mode enable
P0.29	Digital out	PDN	Digital IN	Power-down, active low
P1.00 (SPI_CLK)	Digital out	SCK	Digital IN	SPI clock
P1.01 (SPI_MOSI)	Digital out	MOSI	Digital IN	SPI data in
P1.04 (SPI_MISO)	Digital in	MISO	Digital OUT	SPI data out

P1.05 (SPI_CS) Digital out CSN Digital IN SPI chip select, active low

Notes:-

Mode Pin

At power-up, the MODE pin is read and since the MODE pin connected to pull down resistor R4 (33k), the nRF21540 TX power mode is set to POUTA_SEL (and the TX_Gain=20dB±0.5dB value stored in nRF21540 chip production default value (POUTA_UICR is used) which is nRF21540 TX_gain=POUTA_PROD=20dB±0.5dB. Nordic sets this nRF21540 chip to chip to hit the TX_gain=POUTA_PROD=20dB±0.5dB.
Customer must NOT modify (via SPI) this default POUTA_UICR) which has Nordic default 20dB±0.5dB) or use POUTB_UICR (which has Nordic default 10dB).

nRF21540 TX_Gain=20dB (POUT_A UICR) must NOT be modified.

BL5340PA module HW variants are FCC, ISED, RCM (Australia, New Zealand) certified with:-

- FIXED Nordic default FEM (nR21540) TX_gain=POUTA_PROD=20dB±0.5dB settings used to achieve the maximum BL5340PA module (per HW variant) RF TX power for FCC, ISED, RCM (Australia, New Zealand) radio regulatory region.

Current BL5340PA certifications does NOT allow nRF21540 TX_Gain to be changed from this default. Customer MUST NOT modify or program the nRF21540 TX_Gain (POUTA_UICR), so to keep the FIXED default nRF21540 TX_gain=POUTA_PROD=20dB±0.5dB to stay within the regulatory limits defined in section [6.2.4](#)

BL5340PA module HW variants are CE (Europe), UKCA (UK) certified with:-

- FIXED nRF21540 FEM TX_Gain= index 23 decimal (~18dB) sent over SPI is sent every time when nRF21540 comes out of power down (via SPI between nRF5340 to nRF21540) for CE (Europe), UKCA (UK) radio regulatory region.

PDN Pin

PDN pin is power down pin and is active high. Since PDN pin is controlled as part PIN CONTROL group (TX_EN, RX_EN, PDN, CSN), the nRF21540 is powered down (PDN=0) at every opportunity for low power solution and this means when device come out of power-down (PDN=1), all the registers will contain reset values, for example the TX_Gain will be default from PAOUTA_SEL.

ANT_SEL Pin

Customer (FW) MUST control nRF5340 P0.04 line per BL53450PA module HW variant to select the correct antenna port on nRF21540 by driving nRF21540 ANT_SEL pin from nRF5340 P0.04 line:-

BL5340PA module HW variant	nRF5340 P0.04 line set by customer to control nRF21540 ANT_SEL pin	nRF21540 ANT port selected
453-00068 BL5340PA module, integrated antenna	Low	ANT1
453-00076 BL5340PA module, MHF4 RF connector receptable for external antenna	High	ANT2

R5 pull-down resistor is fitted on both BL5340PA module HW variants (on the nRF5340 P0.04 line going to nRF21540 ANT_SEL line).
On the 453-00076 only, antenna switching (from ANT2 to ANT1) can be performed by driving nRF21540 ANT_SEL line from nRF5340 P0.04 line. This antenna switching is only usable on the 453-00076 only, as the other antenna port ANT1 on nRF21540 is connected to PCB Trace antenna on the 453-00076 BL5340PA module.
Antenna cannot be switched when radio is being used.

TX_EN, RX_EN, PDN

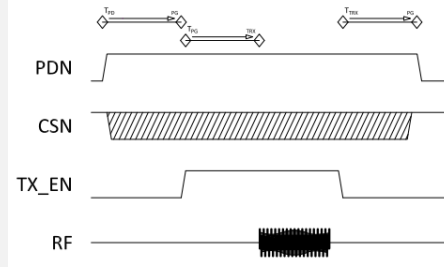
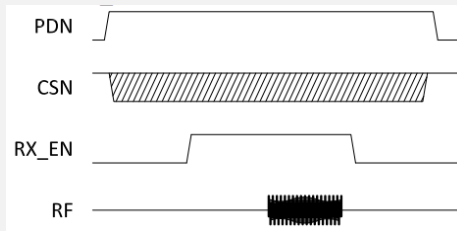
GPIO PIN control of nRF21540 FEM follow defaults from Nordic which is active high. CSN pin is needed for RX_EN.

Timing Control of nRF21540

Follow defaults from Nordic.

GPIO PIN control for RF TX

GPIO PIN control for RF RTX



GPIO nRF5340 GPIO driving the nRF21540 states during low power modes

As defaults from Nordic.

When putting BL5340PA in low power mode (nRF5340 System ON Idle or SYSTEM OFF), all of the nRF5340 GPIO signals (P0.04/AIN0, P0.29, P0.30, P0.31, P1.00, P1.01, P1.04, P1.05) going to the nRF21540 FEM should be configured as output low except for P1.04/MISO which should be configured as input disconnect.

nRF21540 Nordic Errata document

Refer to the latest nRF21540 Errata document and apply the workaround mentioned https://infocenter.nordicsemi.com/topic/struct_fem/struct/nrf21540_errata.html?cp=7_0_1 https://infocenter.nordicsemi.com/pdf/nRF21540_Revision_2_Errata_v1.2.pdf

for example, errata:

3.4 [13] System: Increased supply current in Power down state with digital input pins at high level

6.2.2 Control nRF5340 P0.04 line per BL5340PA module Hardware variant

Customer MUST select per BL5340PA module HW variant (recorded on label), the correct state (output High or Low) of the nRF5340 P0.04 line that controls the nRF21540 ANT_SEL pin. Refer to table [ANT_SEL pin](#).

6.2.3 Antenna Selection support on 453-00076 BL5340PA module

Refer to table [ANT_SEL pin](#).

WARNING: See section 6.2.4 for actual radio regulatory RF TX power limit allowed for each regulatory region per radio PHY per channel per BL5340PA hardware variant. When switching antennas on the 453-00076 BL5340PA module HW variant for external antenna, remember external antenna gain maximum is 3.1dBi whilst when switching the antenna to Internal antenna which has lower gain of 1.49dBi, this means lower of the two RF TX power tables MUST be used. Since 453-00076 BL5340PA module, External Antenna HW variant for external antenna has lower RF TX Power settings, it is safe (in terms of radio regulatory certifications) on the 453-00076 BL5340PA module HW variant.

You MUST not use integrated antenna values for the external antenna HW variant.

6.2.4 BL5340PA Certified TX Power Per Regulatory Region and Hardware Variant

The BL5340PA **must** be used with the Laird Connectivity fork of the Nordic nRF Connect SDK (Zephyr) found at https://github.com/LairdCP/bl5340pa_manifest. The front-end module (FEM) driver limits the RF power output to be compliant with radio regulatory certifications achieved for the BL5340PA. The RF TX power tables are hardcoded in the driver.

The following sections shows per BL5340PA module HW variant and per radio regulatory region, the maximum allowed nRF5340 TX power setting (with VREQCTRL OFF) per PHY, per channel with:-

- FIXED Nordic default FEM (nR21540) TX_gain=POUTA_PROD=20dB±0.5dB settings used to achieve the maximum BL5340PA module (per HW variant) RF TX power for FCC, ISED, RCM (Australia, New Zealand) radio regulatory region.
- FIXED nRF21540 FEM TX_Gain= index 23 decimal (~18dB) sent over SPI is sent every time when nRF21540 comes out of power down (via SPI between nRF5340 to nRF21540) for CE (Europe), UKCA (UK) radio regulatory region.

6.2.4.1 Maximum RF TX power per Hardware Variant, PHY, Channel, with FIXED FEM (nRF21540) and Default TX_Gain (FCC and ISED)

Table 42 and Table 43 below shows per BL5340PA module HW variant, the maximum certified nRF5340 RF TX power per PHY, per channel with FIXED FEM nRF21540 default TX_Gain=PAOUT_PROD=20dB allowed for radio regulatory region of FCC (USA), ISED (Canada).

Note: Red colour shows the differences in settings between the two hardware variants.

Table 42: Max TX Power Settings for 453-00068 BL5340PA module, Integrated Antenna, FCC and ISED Region

nRF5340 TX max power settings per PHY per Channel for 453-00068 BL5340PA module, Integrated Antenna for FCC, ISED regulatory region				
Internal antenna maximum peak antenna gain =1.49dBi				
BL5340PA certification are with:-				
<ul style="list-style-type: none"> nRF21540 FIXED Nordic default TX_GAIN=PAOUT_PROD=20dB. nRF5340 VREQCTRL turned OFF 				
PHY	Channel	Frequency MHz	nRF5340 RF TX power (dBm) setting allowed with VREQCTRL OFF	Measured BL5340PA conducted RF TX power (dBm)
BLE 1Mbps	CH0	2402	-4dBm	18.11dBm
	CH19	2440	-4dBm	18.02dBm
	CH39	2480	-5dBm	16.45dBm
BLE 2Mbps	CH1	2404	-4dBm	18.09dBm
	CH19	2440	-4dBm	17.97dBm
	CH38	2478	-8dBm	13.01dBm
BLE coded PHY 125kbps	CH0	2402	-8dBm	12.78dBm
	CH19	2440	-8dBm	13.46dBm
	CH39	2480	-8dBm	13.39dBm
BLE coded PHY 500kbps	CH0	2402	-4dBm	18.14dBm
	CH19	2440	-4dBm	18.03dBm
	CH39	2480	-5dBm	16.38dBm

Table 43: Max TX Power Settings for 453-00076 BL5340PA module, External Antenna, FCC and ISED Region

nRF5340 TX max power settings per PHY per Channel for 453-00076 BL5340PA module, External Antenna, MHF4 RF connector for FCC, ISED regulatory region				
External antenna maximum peak antenna gain =3.1dBi				
BL5340PA certification are with:-				
<ul style="list-style-type: none"> nRF21540 FIXED Nordic default TX_GAIN=PAOUT_PROD=20dB. nRF5340 VREQCTRL turned OFF. 				
PHY	Channel	Frequency MHz	nRF5340 RF TX power (dBm) setting allowed with VREQCTRL OFF	Measured BL5340PA conducted RF TX power (dBm)
BLE 1Mbps	CH0	2402	-5dBm	16.31dBm
	CH19	2440	-6dBm	16.16dBm
	CH39	2480	-7dBm	14.76dBm
BLE 2Mbps	CH1	2404	-5dBm	16.29dBm
	CH19	2440	-6dBm	16.15dBm
	CH38	2478	-12dBm	9.11dBm
BLE coded PHY 125kbps	CH0	2402	-8dBm	12.78dBm
	CH19	2440	-8dBm	13.46dBm
	CH39	2480	-8dBm	13.39dBm
BLE coded PHY 500kbps	CH0	2402	-5dBm	16.41dBm
	CH19	2440	-6dBm	16.17dBm
	CH39	2480	-7dBm	14.75dBm

Note: Different TX power settings are used on 453-00076 BL5340PA module, External Antenna, MHF4 RF connector because the highest external antenna gain is higher at 3.1dB.

IEEE 802.15.4: 2006 250kbps	CH11	2405	0dBm	21.10dBm
	CH18	2440	0dBm	20.98dBm
	CH25	2475	-7dBm	15.02dBm
	CH26	2480	TBD	TBD

IEEE 802.15.4: 2006 250kbps	CH11	2405	0dBm	21.10dBm
	CH18	2440	0dBm	20.98dBm
	CH25	2475	-8dBm	13.44dBm
	CH26	2480	TBD	TBD

Notes:-

3. Customer MUST use the nRF5340 maximum RF TX power setting (with nRF5340 VREQCTRL turned OFF) only to stay with radio regulatory certifications.
4. Customer must NOT change the maximum regulatory certified Nordic default nRF21540 TX_Gain=PAOUTA_PROD of 20dB±0.5dB into POUT_A UICR, which Nordic program into nRF21540 chip by chip.
The reason is that a different nRF5340 RF TX power setting is used on 453-00076 BL5340PA module, MHF4 RF connector module HW variant is that highest External antenna gain is higher at 3.1dB compared to the 453-00068 BL5340PA module, integrated antenna module HW variant integrated antenna gain of 1.49dBi.
Hence MUST not use RF TX power table for 453-00068 BL5340PA module, Integrated Antenna on a 453-00076 BL5340PA module, External Antenna HW variant.
5. BLE 1Mbps PHY Ch39 2480MHz RF TX power must be limited to lower value to pass FCC/ISED Band Edge emission limit.
6. BLE 2Mbps PHY Ch38 2478MHz RF TX power must be limited to lower value to pass FCC/ISED Band Edge emission limit.
7. BLE 125kpps coded PHY RF TX power must be limited to lower value to pass FCC/ISED Power Spectral Density limit.
8. BLE 500kpps coded PHY Ch39 2480MHz RF TX power must be limited to lower value to pass FCC/ISED Band Edge emission limit.
9. IEEE 802.15.4:2006 PHY CH25(2475MHz), RF TX power must be limited to lower value to pass FCC/ISED Band Edge emissions limit.
10. The CH26 (2480MHz) IEEE 802.15.4:2006 RF TX power must be limited to lower value to pass FCC/ISED Band Edge emission limit.
11. the BLE 2Mbps is NOT used on BLE legacy advertising channels as per BTCore5.x document. BLE legacy advertising only done on BLE 1Mbps, coded PHY 125kbps and coded PHY 500kbps. When BLE 2Mbps is used in a BLE data connection, the RF TX power on CH38 being lower than the other 36 channels should not impair system performance as there are still 36 other channels at full RF TX power and BLE uses frequency hopping.
12. BL5340PA is radio regulatory certified with nRF5340 VREQCTRL turned OFF. BL5340PA customer must keep the nRF5340 VREQCTRL turned OFF to stay within BL5340PA radio regulatory certifications. See [VREQCTRL - Voltage request control \(VREQCTRL OFF for BL5340PA\)](#).

6.2.4.2 Maximum RF TX power per Hardware Variant, PHY, Channel, with FIXED FEM (nRF21540) and Default TX_Gain (RCM – Australia and New Zealand)

Table 44 and Table 45 below shows per BL5340PA module HW variant, the maximum certified nRF5340 RF TX power per PHY, per channel with FIXED FEM (nRF21540) default TX_Gain=PAOUTA_PROD=20dB allowed for radio regulatory region of RCM (Australia, New Zealand).

Note: Red colour shows the differences in setting between BL5340PA module HW variant.

Table 44: Max TX Power Settings for 453-00068 BL5340PA module, Integrated Antenna, RCM Region

nRF5340 TX max power settings per PHY per Channel for 453-00068 BL5340PA module, Integrated Antenna for RCM (Australia, New Zealand) region				
Internal antenna maximum peak antenna gain =1.49dBi				
BL5340PA certification are with:				
<ul style="list-style-type: none"> nRF21540 FIXED Nordic default TX_GAIN=PAOUT_PROD=20dB. nRF5340 VREQCTRL turned OFF 				
PHY	Channel	Frequency MHz	nRF5340 RF TX power (dBm) setting allowed with VREQCTRL OFF	BL5340PA conducted RF TX power (dBm)
BLE 1Mbps	CH0	2402	-4dBm	18.05dBm
	CH19	2440	-4dBm	17.98dBm
	CH39	2480	-4dBm	17.76dBm
BLE 2Mbps	CH1	2404	-4dBm	18.05dBm
	CH19	2440	-4dBm	17.98dBm
	CH38	2478	-4dBm	17.76dBm
BLE coded PHY 125kbps	CH0	2402	-4dBm	18.47dBm
	CH19	2440	-5dBm	17.76dBm
	CH39	2480	-4dBm	18.32dBm
BLE coded PHY 500kbps	CH0	2402	-4dBm	18.45dBm
	CH19	2440	-5dBm	17.27dBm
	CH39	2480	-4dBm	18.27dBm

Table 45: Max TX Power Settings for 453-00076 BL5340PA module, External Antenna, MHF4 RF connector, RCM Region

nRF5340 TX max power settings per PHY per Channel for 453-00076 BL5340PA module, External Antenna, MHF4 RF connector for RCM (Australia, New Zealand) region				
External antenna maximum peak antenna gain =3.1dBi				
BL5340PA certification are with:				
<ul style="list-style-type: none"> nRF21540 FIXED Nordic default TX_GAIN=PAOUT_PROD=20dB. nRF5340 VREQCTRL turned OFF 				
PHY	Channel	Frequency MHz	nRF5340 RF TX power (dBm) setting allowed with VREQCTRL OFF	BL5340PA conducted RF TX power (dBm)
BLE 1Mbps	CH0	2402	-5dBm	16.41dBm
	CH19	2440	-6dBm	16.27dBm
	CH39	2480	-6dBm	16.56dBm
BLE 2Mbps	CH1	2404	-5dBm	16.36dBm
	CH19	2440	-6dBm	16.19dBm
	CH38	2478	-6dBm	16.54dBm
BLE coded PHY 125kbps	CH0	2402	-6dBm	16.44dBm
	CH19	2440	-7dBm	15.33dBm
	CH39	2480	-7dBm	15.03dBm
BLE coded PHY 500kbps	CH0	2402	-6dBm	16.41dBm
	CH19	2440	-7dBm	15.33dBm
	CH39	2480	-6dBm	16.72dBm

Note: Different TX power settings are used on 453-00076 BL5340PA module, External Antenna, MHF4 RF connector because the highest external antenna gain is higher at 3.1dB.

IEEE 802.15.4: 2006 250kbps	CH11	2405	-1dBm	20.92dBm
	CH18	2440	-1dBm	20.79dBm
	CH25	2475	-1dBm	20.02dBm
	CH26	2480	TBD	TBD

IEEE 802.15.4: 2006 250kbps	CH11	2402	-1dBm	20.92dBm
	CH18	2440	-1dBm	20.79dBm
	CH25	2475	-1dBm	20.02dBm
	CH26	2480	TBD	TBD

Notes:-

13. Customer MUST use the nRF5340 maximum RF TX power setting (with nRF5340 VREQCTRL turned OFF) only to stay with radio regulatory certifications.
14. Customer must NOT change the maximum regulatory certified Nordic default nRF21540 TX_Gain=PAOUT_PROD=20dB±0.5dB into POUT_A UICR, which Nordic program into nRF21540 chip by chip. The reason is that different nRF5340 RF TX power settings are used on the 453-00076 BL5340PA module, MHF4 RF connector module HW variant is that the highest External antenna gain is higher at 3.1dB compared to the 453-00068 BL5340PA module, Integrated Antenna module HW variant integrated antenna gain of 1.49dBi. Hence MUST not use RF TX power table for 453-00068 BL5340PA module, Integrated Antenna on a 453-00076 BL5340PA module, External Antenna HW variant.
15. BLE 1Mbps PHY RF TX power limited by RCM Power Spectral Density limit.
16. BLE 2Mbps PHY RF TX power limited by RCM Power Spectral Density limit.
17. BLE 125kkps coded PHY RF TX power limited by RCM Power Spectral Density limit.
18. BLE 500kkps coded PHY RF TX power limited by RCM Power Spectral Density limit
19. IEEE 802.15.4:2006 PHY CH25(2475MHz), RF TX power limited by RF TX power limited by RCM Power Spectral Density limit.
20. The CH26 (2480MHz) IEEE 802.15.4:2006 RF TX power must be limited to lower value to pass RCM Band Edge emission limit.
21. the BLE 2Mbps is NOT used on BLE legacy advertising channels as per BTCore5.x document. BLE legacy advertising only done on BLE 1Mbps, coded PHY 125kbps and coded PHY 500kbps. When BLE 2Mbps is used in a BLE data connection, the RF TX power on CH38 being lower than the other 36 channels should not impair system performance as there are still 36 other channels at full RF TX power and BLE uses frequency hopping.
22. BL5340PA is radio regulatory certified with nRF5340 VREQCTRL turned OFF. BL5340PA customer must keep the nRF5340 VREQCTRL turned OFF to stay within BL5340PA radio regulatory certifications. See [VREQCTRL - Voltage request control \(VREQCTRL OFF for BL5340PA\)](#).

6.2.4.3 Maximum RF TX power per Hardware Variant, PHY, Channel, with FIXED FEM (nRF21540) TX_Gain=index 23 decimal (~18dB) CE and UKCA sent before each Radio Transmission over SPI

Table 46 and Table 47 below shows per BL5340PA module HW variant, the maximum certified nRF5340 RF TX power per PHY, per channel with FIXED FEM (nRF21540) TX_GAIN=index 23 decimal (~18dB) allowed for radio regulatory region of CE (Europe), UKCA (UK).

Note: FIXED nRF21540 FEM TX_Gain= index 23 decimal (~18dB) sent over SPI is sent every time when nRF21540 comes out of power down (via SPI between nRF5340 to nRF21540) for CE (Europe), UKCA (UK) radio regulatory region.

Table 46: Max TX Power Settings for 453-00068 BL5340PA module, Integrated Antenna, CE, UKCA Region

nRF5340 TX max power settings per PHY per Channel for 453-00068 BL5340PA module, Integrated Antenna for CE(Europe), UKCA(UK) radio regulatory region				
Internal antenna maximum peak antenna gain =1.49dBi				
BL5340PA certification are with:				
<ul style="list-style-type: none"> nRF21540 FIXED TX_GAIN=index 23 decimal (~18dB). nRF5340 VREQCTRL turned OFF 				
PHY	Channel	Frequency MHz	nRF5340 RF TX power (dBm) setting allowed with VREQCTRL OFF	BL5340PA conducted RF TX power (dBm)
BLE 1Mbps	CH0	2402	-16dBm	
	CH19	2440	-16dBm	5.76dBm
	CH39	2480	-16dBm	
BLE 2Mbps	CH1	2404	-16dBm	
	CH19	2440	-16dBm	5.75dBm
	CH38	2478	-16dBm	
BLE coded PHY 125kbps	CH0	2402	-16dBm	
	CH19	2440	-16dBm	5.76dBm
	CH39	2480	-16dBm	
BLE coded PHY 500kbps	CH0	2402	-16dBm	
	CH19	2440	-16dBm	5.77dBm
	CH39	2480	-16dBm	

Table 47: Max TX Power Settings for 453-00076 BL5340PA module, External Antenna, MHF4 RF connector, CE, UKCA Region

nRF5340 TX max power settings per PHY per Channel for 453-00076 BL5340PA module, External Antenna, MHF4 RF connector for CE(Europe), UKCA(UK) radio regulatory region				
External antenna maximum peak antenna gain =3.1dBi				
BL5340PA certification are with:				
<ul style="list-style-type: none"> nRF21540 FIXED TX_GAIN=index 23 decimal (~18dB). nRF5340 VREQCTRL turned OFF 				
PHY	Channel	Frequency MHz	nRF5340 RF TX power (dBm) setting allowed with VREQCTRL OFF	BL5340PA conducted RF TX power (dBm)
BLE 1Mbps	CH0	2402	-16dBm	3.65dBm
	CH19	2440	-16dBm	4.54dBm
	CH39	2480	-16dBm	3.88dBm
BLE 2Mbps	CH1	2404	-16dBm	3.66dBm
	CH19	2440	-16dBm	4.54dBm
	CH38	2478	-16dBm	3.87dBm
BLE coded PHY 125kbps	CH0	2402	-16dBm	3.66dBm
	CH19	2440	-16dBm	4.52dBm
	CH39	2480	-16dBm	3.87dBm
BLE coded PHY 500kbps	CH0	2402	-16dBm	3.65dBm
	CH19	2440	-16dBm	4.53dBm
	CH39	2480	-16dBm	3.85dBm

IEEE 802.15.4: 2006 250kbps	CH11	2405	-16dBm	
	CH18	2440	-16dBm	5.75dBm
	CH26	2480	-16dBm	

IEEE 802.15.4: 2006 250kbps	CH11	2402	-16dBm	3.84dBm
	CH18	2440	-16dBm	4.54dBm
	CH26	2480	-16dBm	3.75dBm

Notes:-

1. Customer MUST use the nRF5340 maximum RF TX power setting (with nRF5340 VREQCTRL turned OFF) only to stay with radio regulatory certifications.
2. Customer must NOT change the maximum regulatory certified Nordic default nRF21540 TX_Gain=PAOUT_PROD=20dB±0.5dB into POUT_A UICR, which Nordic program into nRF21540 chip by chip.
3. For CE, UK, a FIXED nRF21540 FEM TX_Gain=~-18dB (index 23) sent over SPI is sent every time when nRF21540 comes out of power down (via SPI between nRF5340 to nRF21540) for CE (Europe), UKCA (UK) radio regulatory region.
4. BLE RF TX power limited by CE, UKCA Power Spectral Density limit.
5. IEEE 802.15.4:2006 PHY CH25(2475MHz), RF TX power limited by CE, UKCA Power Spectral Density limit.
6. BL5340PA is radio regulatory certified with nRF5340 VREQCTRL turned OFF. BL5340PA customer must keep the nRF5340 VREQCTRL turned OFF to stay within BL5340PA radio regulatory certifications. See [VREQCTRL - Voltage request control \(VREQCTRL OFF for BL5340PA\)](#).

6.2.5 nRF5340 network core activity and ±64MHz RF TX signal spur

NOTE: Any FW (developed by customer for normal BLE or 802.15.4:2006 operation) that uses the nRF5340 network core and if that FW creates constant activity in the network core, then may produce RF TX spurs at ±64MHz offset from the RF TX signal. Customer should measure RF TX signal ±64MHz offset spurs and ensure level is within the FCC, ISED, RCM radio regulatory limits.

What does “constant activity in the network core” cover?

Constant network core activity may arise for example if FW used a wait between polling the UART interface meaning using a “do nothing” loop to pause the thread while waiting for next UART poll. This prevents the network core from entering idle state during waiting, resulting in “network core constant activity”. The RF TX signal spurs ±64MHz rise since radio is active while the main thread executing. Change the waiting to use a timer to schedule the UART polling.

Can peripherals in network core be used at same time as radio?

Using the network core for other peripherals in addition to radio should be acceptable.

During normal use, the radio thread (in FW) will take priority over other threads running on the network core. This means that there will not other activity on the network core while radio is transmitting.

Using the Nordic nRF Connect SDK should mitigate this issue.

7 HARDWARE INTEGRATION SUGGESTIONS

7.1 Circuit

The BL5340PA is easy to integrate, requiring no external components on your board apart from those which you require for development and in your end application.

The following are suggestions for your design for the best performance and functionality.

Checklist (for Schematic):

- **BL5340PA power**

Normal voltage mode: MUST connect the external supply voltage to BOTH the VDD and VDDH pins (so that VDD equals VDD_HV). Connect external supply within range 3.0V to 3.6V range to BL5340PA VDD and VDD_HV pins.

External power source should be within the operating range, rise time and noise/ripple specification of the BL5340PA. Add decoupling capacitors for filtering the external source. Power-on reset circuitry within BL5340PA series module incorporates brown-out detector, thus simplifying your power supply design. Upon application of power, the internal power-on reset ensures that the module starts correctly.

- **BL5340PA USB peripheral:**

To use the BL5340PA USB peripheral:

1. Connect the BL5340PA VBUS pin to the external supply within the range 4.35V to 5.5V. When using the BL5340PA VBUS pin, you **MUST** externally fit a 4.7uF to ground. Ensure capacitor value reduction due to DC bias, AC bias, temperature is minimized.
2. Connect the external supply (3.0V to 3.6V) to BOTH the VDD and VDD_HV pins to operate the rest of BL5340PA module.

An optional series 4.7Ohms resistor on the USB supply (VBUS) can be fitted for improved immunity to transient over-voltage VBUS connection.

If not using USB peripheral, the VBUS pin can be left unconnected.

- **AIN (ADC) and GPIO pin IO voltage levels**

BL5340PA GPIO voltage levels are at VDD. Ensure input voltage levels into GPIO pins are at VDD also (if VDD source is a battery whose voltage drops). Ensure ADC pin maximum input voltage for damage is not violated.

- **AIN (ADC) impedance and external voltage divider setup**

If you need to measure with ADC a voltage higher than 3.6V, you can connect a high impedance voltage divider to lower the voltage to the ADC input pin.

- **SWD**

This is REQUIRED for loading firmware. MUST wire out the SWD two wire interface on host design (see [Figure 10](#)). Five lines should be wired out, namely SWDIO, SWDCLK, nRESET, GND and VDD.

- **UART and flow control (CTS, RTS)**

Required if customer requires UART.

- **TWI (I2C)**

It is essential to remember that pull-up resistors on both SCL and SDA lines are required, the value as per I2C standard. nRF5340 can provide 13K Ohms typical pull up values internally. For other values, fit external pull-up resistor on both SCL and SDA as per I2C specification to set speed. The I2C specification allows a line capacitance of 400pF.

- **QSPI, High Speed SPI (SPIM4, 32Mbps), High speed TWI (I2C, 1Mbps), QSPI and Trace**

QSPI, High-Speed SPI (SPIM4) 32Mbps, TWI 1Mbps and Trace come on dedicated GPIO pins only. Other lower speed SPI and TWI can come out on any GPIO pins.

For all high-speed signal, the printed circuit board (PCB) layout must ensure that connections are made using short PCB traces.

- **GPIO pins**

If GPIO is selected as an input, ensure the input is not floating (which can cause current consumption to drive with time in low power modes (such as System ON Idle), by selecting the internal pull up or pull down.

- **NFC antenna connector**

To make use of the Laird Connectivity flexi-PCB NFC antenna (datasheet [here](#)), fit connector:

- Description: FFC/FPC Connector, Right Angle, SMD/90d, Dual Contact, 1.2 mm Mated Height
- Manufacturer: Molex
- Manufacturers Part number: 512810594

Add tuning capacitors of 300 pF on NFC1 pin to GND and 300 pF on NFC2 pins to GND if the PCB track length is similar as development board.

- **nRESET pin (active low)**

Hardware reset. Wire out to push button or drive by host.

By default module is out of reset when power applied to VDD pins (13K pull-up inside nRF5340PA).

- **Optional External 32.768kHz crystal**

If the optional external 32.768kHz crystal is needed, then use a crystal that meets specification and add load capacitors (either inside nRF5340 or discrete capacitors outside nRF53) whose values should be tuned to meet all specification for frequency and oscillation margin.

- **453-00076 BL5340PA module, External Antenna, MHF4 RF Connector HW variant supports Dual Antenna**

See section [6.2.3 Antenna Selection support on 453-00076 BL5340PA module](#).

7.2 PCB Layout on Host PCB - General

Checklist (for PCB):

- MUST locate BL5340PA module close to the edge of PCB (mandatory for the 453-00068 for on-board PCB trace antenna to radiate properly).
- Use solid GND plane on inner layer (for best EMC and RF performance).
- All module GND pins MUST be connected to host PCB GND.
- Place GND vias close to module GND pads as possible.
- Unused PCB area on surface layer can be flooded with copper but place GND vias regularly to connect the copper flood to the inner GND plane. If GND flood copper is on the bottom of the module, then connect it with GND vias to the inner GND plane.
- Route traces to avoid noise being picked up on VDD, VDDH, VBUS supply and AIN (analogue), GPIO (digital) traces and high-speed traces.
- Ensure no exposed copper is on the underside of the module (refer to land pattern of BL5340PA development board).

7.3 PCB Layout on Host PCB for the 453-00068

7.3.1 Antenna Keep-out on Host PCB

The 453-00068 has an integrated PCB trace antenna and its performance is sensitive to host PCB. It is critical to locate the 453-00068 on the edge of the host PCB (or corner) to allow the antenna to radiate properly. Refer to guidelines in section [8.2 Host PCB Land Pattern and Antenna Keep-out for the 453-00068](#). Some of those guidelines repeated below.

- Ensure there is no copper in the antenna keep-out area on any layers of the host PCB. Keep all mounting hardware and metal clear of the area to allow proper antenna radiation.
- For best antenna performance, place the 453-00068 module on the edge of the host PCB, preferably in the edge center.
- The BL5340PA development board (453-00068-K1) has the 453-00068 module on the edge of the board (not in the corner). The antenna keep-out area is defined by the BL5340PA development board which was used for module development and antenna performance evaluation is shown in [Figure 13](#), where the antenna keep-out area is ~4.7 mm wide, ~39.17 mm long; with PCB dielectric (no copper) height ~1 mm sitting under the 453-00068 PCB trace antenna.
- The 453-00068 PCB trace antenna is tuned when the 453-00068 is sitting on development board (host PCB) with size of 135 mm x 110 mm x 1mm.
- A different host PCB thickness dielectric will have small effect on antenna.
- The antenna-keep-out defined in [8.2 Host PCB Land Pattern and Antenna Keep-out for the 453-00068](#).
- Host PCB land pattern and antenna keep-out for the BL5340PA applies when the 453-00068 is placed in the edge of the host PCB preferably in the edge center. [Figure 13](#) shows an example.

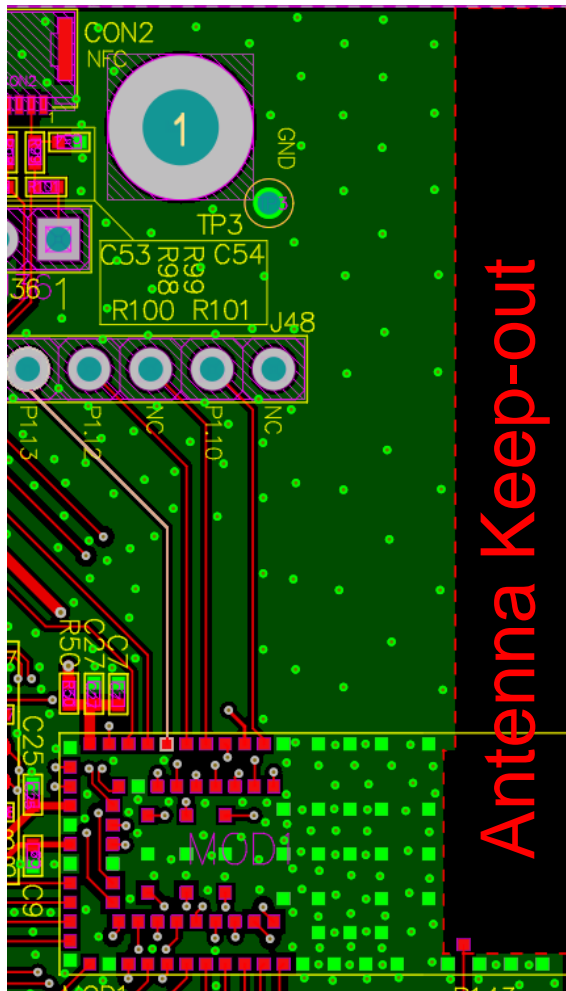


Figure 13: PCB trace Antenna keep-out area on the edge (and off center) of the BL5340PA development board for the 453-00068 module.

Antenna Keep-out Notes:

- | | |
|---------------|--|
| Note 1 | The BL5340PA module is placed on the edge, preferably edge centre of the host PCB. |
| Note 2 | Copper cut-away on all layers in the <i>Antenna Keep-out</i> area under the 453-00068 on host PCB. |

7.3.2 Antenna Keep-out and Proximity to Metal or Plastic

Checklist (for metal /plastic enclosure):

- Minimum safe distance for metals without seriously compromising the antenna (tuning) is 40 mm top/bottom and 30 mm left or right.
- Metal close to the 453-00068 PCB trace monopole antenna (bottom, top, left, right, any direction) will have degradation on the antenna performance. The amount of that degradation is entirely system dependent, meaning you will need to perform some testing with your host application.
- Any metal closer than 20 mm will begin to significantly degrade performance (S11, gain, radiation efficiency).
- It is best that you test the range with a mock-up (or actual prototype) of the product to assess effects of enclosure height (and materials, whether metal or plastic) and host PCB ground (GND) plane size.

7.4 External Antenna Integration with the 453-00076

Please refer to the regulatory sections for FCC, ISED and RCM details of use of BL5340PA with external antennas in each regulatory region.

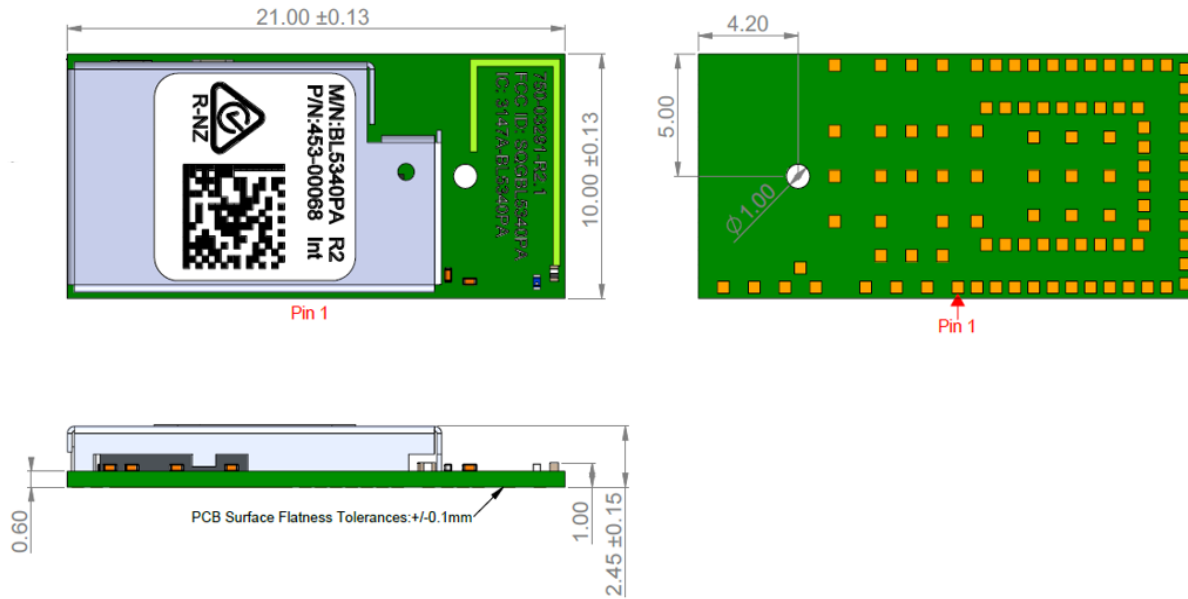
The BL5340PA family has been designed to operate with the below external antennas (with a maximum gain of 3.1 dBi). The required antenna impedance is 50 ohms. See [Table 48](#). External antennas improve radiation efficiency.

Table 48: External antennas for the BL5340PA

Manufacturer	Model	Laird Connectivity Part Number	Type	Connector	Peak Gain	
					2400-2500 MHz	2400-2480 MHz
Laird Connectivity	NanoBlue	EBL2400A1-10MH4L	PCB Dipole	IPEX MHF4	2 dBi	-
Laird Connectivity	FlexPIFA	001-0022	PIFA	IPEX MHF4	-	2 dBi
Mag.Layers	EDA-8709-2G4C1-B27-CY	0600-00057	Dipole	IPEX MHF4	2 dBi	-
Laird Connectivity	mFlexPIFA	EFA2400A3S-10MH4L	PIFA	IPEX MHF4L	-	2 dBi
Laird Connectivity	iFlexPIFA	EFG2400A3S-10MHF4L	PIFA	IPEX MHF4L	-	3.1 dBi
Laird Connectivity	Laird Connectivity NFC (13.56MHz)	0600-00061	NFC coil	N/A	-	-

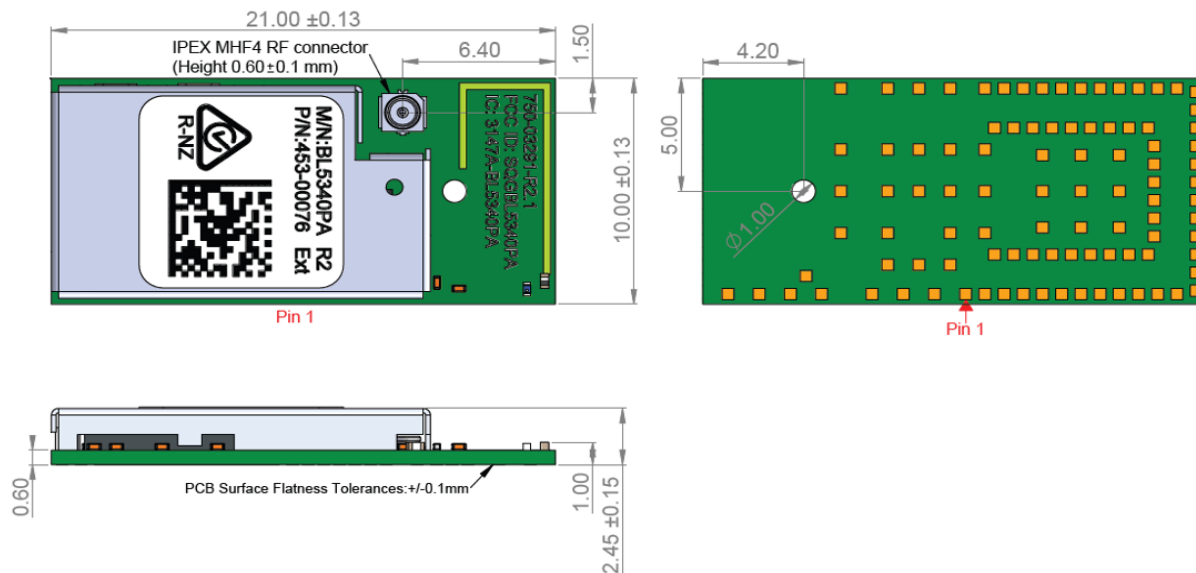
8 MECHANICAL DETAILS

8.1 BL5340PA Mechanical Details



All dimensions are in mm.

453-00068 BL5340PA module, integrated antenna



All dimensions are in mm.

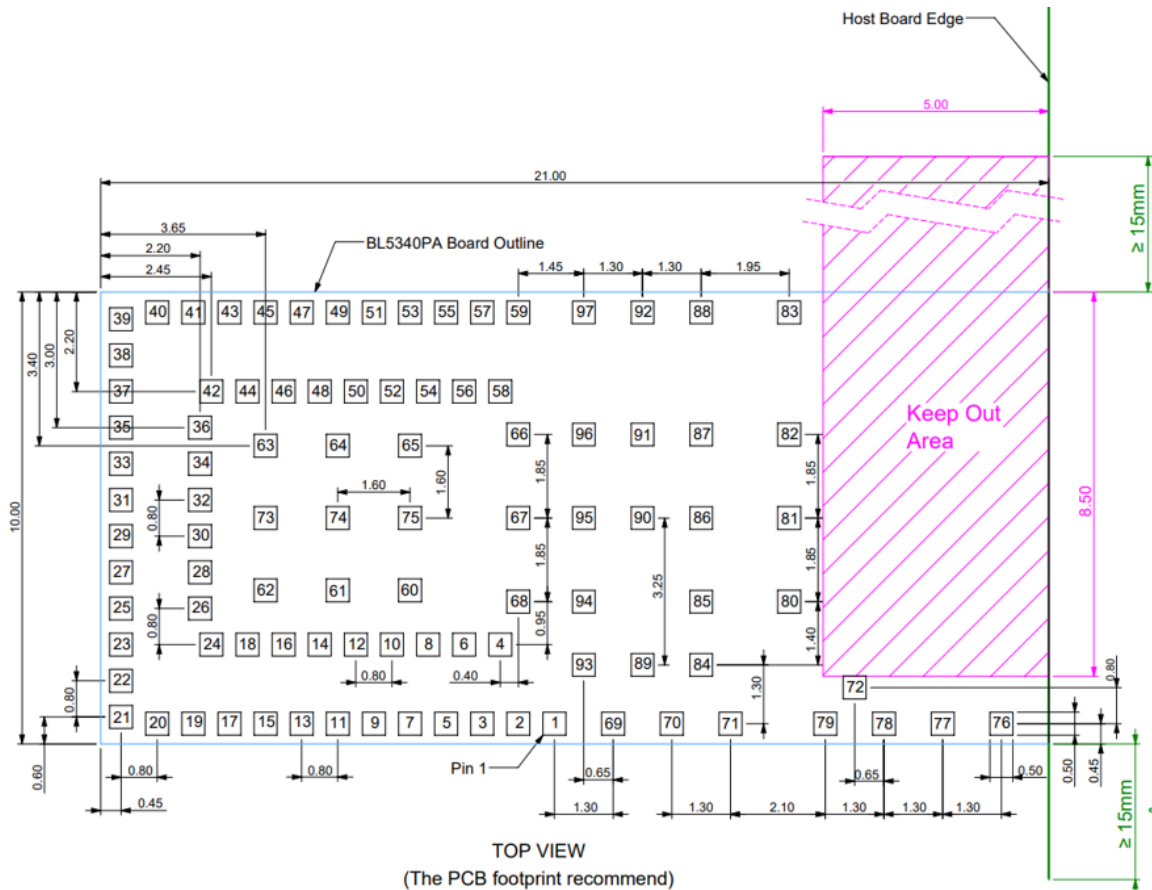
453-00076 BL5340PA module, MHF4 RF connector receptacle for external antenna

Figure 14: BL5340PA mechanical drawings

3D models for External Antenna and Internal Antenna, SCH symbols (Altium format), PCB footprints (DXF and Altium format) and Development Kit Schematics can be found on the BL5340PA product page – <http://lairdconnect.com/bl5340pa-series>

8.2 Host PCB Land Pattern and Antenna Keep-out for the 453-00068

SCH symbols (Altium format) and PCB footprints (DXF and Altium format) can be found on the BL5340PA product page – <http://lairdconnect.com/bl5340pa-series>



All dimensions are in mm.

Figure 15: Host PCB land pattern (top view) and Antenna Keep-out for the 453-00068

Host PCB Land Pattern and Antenna Keep-out for the 453-00068 Notes:

Note 1	Ensure there is no copper in the antenna 'keep out area' on any layers of the host PCB. Also keep all mounting hardware or any metal clear of the area (Refer to 7.3.2) to reduce effects of proximity detuning the antenna and to help antenna radiate properly.
Note 2	For the best on-board antenna performance, the module 453-00068 MUST be placed on the edge of the host PCB and preferably in the edge centre and host PCB, the antenna "Keep Out Area" is extended (see Note 4), keep at least 15mm extension in antenna keep-out area (see figure 19). Keep at least 15mm of host PCB GND copper along the side marked A (the side with pins 77, 76, 78, 70).
Note 3	BL5340PA development board has the 453-00068 module placed on the edge of the PCB board (and not in corner) for that the Antenna keep out area is extended up to the corner of the development board, see DVK-BL5340PA devboard example in section 7.3.1.
Note 4	Ensure that there is no exposed copper under the module on the host PCB.
Note 5	You may modify the PCB land pattern dimensions based on their experience and/or process capability.

9 APPLICATION NOTE FOR SURFACE MOUNT MODULES

9.1 Introduction

Laird Connectivity surface mount modules are designed to conform to all major manufacturing guidelines. This application note is intended to provide additional guidance beyond the information that is presented in the User Manual. This Application Note is considered a living document and will be updated as new information is presented.

The modules are designed to meet the needs of several commercial and industrial applications. They are easy to manufacture and conform to current automated manufacturing processes.

9.2 Shipping

9.2.1 Tape and Reel Package Information

Notes:

- All dimensions are in millimeters.
- Material is High Impact Polystyrene (HIPS)
- Surface resistivity $10^7 \sim 10^{11} \Omega/\square$

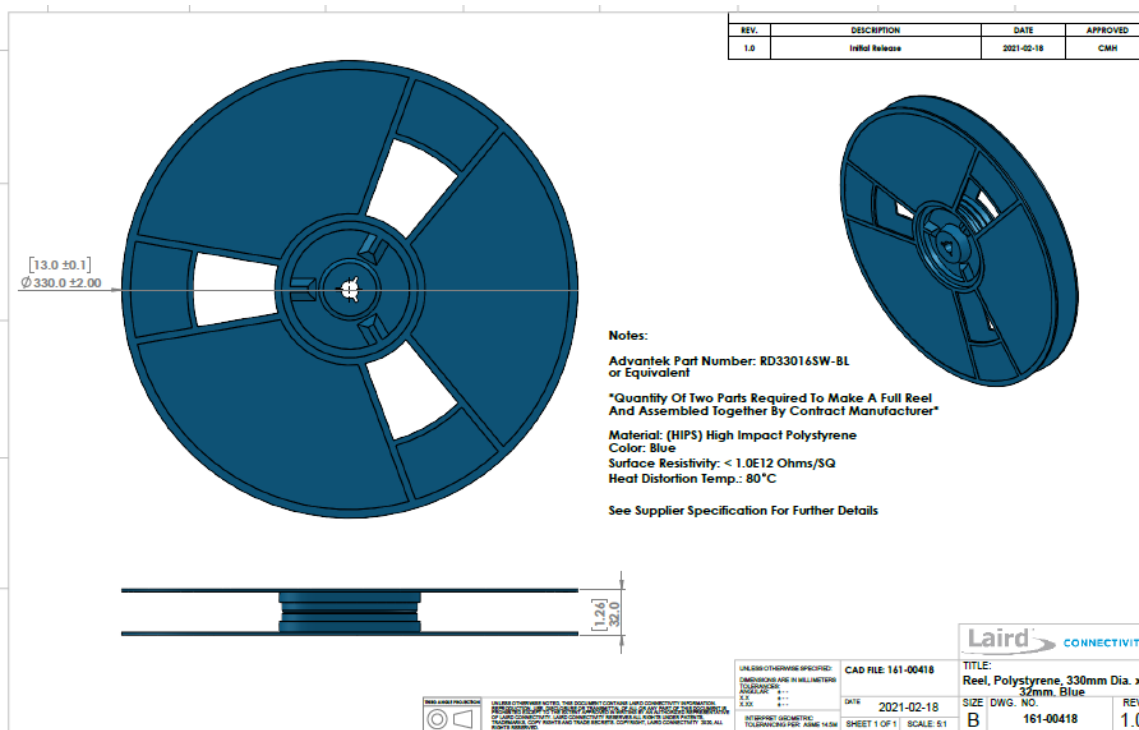


Figure 16: Reel specifications

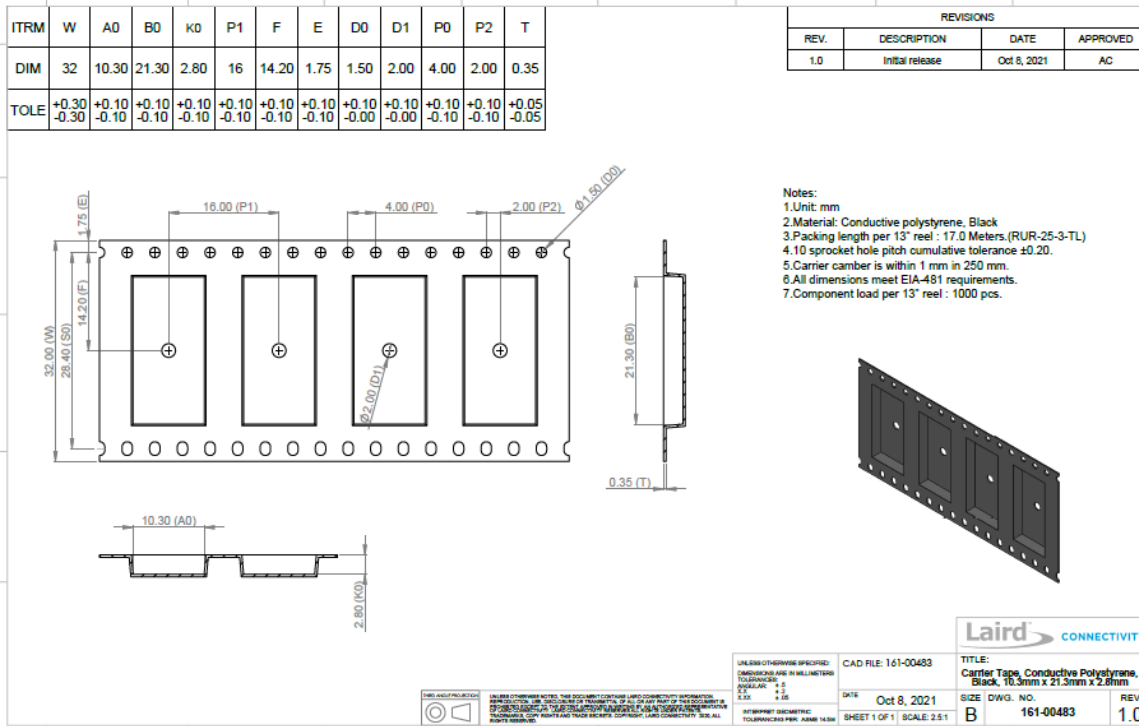


Figure 17: Tape specifications (Module Orientation – Module Shielding side closer to Circle Hole side)

There are 1,000 x BL5340PA modules taped in a reel (and packaged in a pizza box) and five boxes per carton (5000 modules per carton). Reel, boxes, and carton are labeled with the appropriate labels. See [Carton Contents](#) for more information.

9.2.2 Carton Contents and Packaging Process

The following are the contents of the carton shipped for the BL5340PA modules and the packaging process. The example used here is 453-00076R.

ITEM NO.	PART NUMBER	REV.	DESCRIPTION	QTY.
1	453-00076	2.0	Module, BL5340PA, External Antenna	1000
2	160-01816	1.0	Label, Blank Moisture Sensitivity Level, 95mm x 80mm	1
3	160-02268	2.0	Label, Product Identifier, BL5340PA, 60mm x 40mm	3
4	160-02384	1.0	Label, Carton Product Identifier, BL5340PA, 100mm x 130mm	2
5	161-00280	1.0	Bag, ESD and Moisture Barrier, Silver, 430mm x 500mm x 0.15mm	1
6	161-00281	1.0	Humidity Indicator Card, Minimum 60% RH, Six Spot Indication, 38mm x 102mm	1
7	161-00282	1.0	Desiccant, Silica Gel, 60g, 140mm x 80mm	1
8	161-00283	1.0	Box, Single-Wall Corrugated B Flute, 376mm x 347mm x 65mm	1
9	161-00284	1.0	Carton, Double-Wall, Brown, 395mm x 353mm x 374mm	1
10	161-00418	1.0	Reel, Polystyrene, 330mm Dia. x 32mm, Blue	1
11	161-00463	1.0	Carrier Tape, Conductive Polystyrene, Black, 10.3mm x 21.3mm x 2.8mm	1
12	161-00352	1.0	Cover Tape, Anti-static Polyester, 25.5mm x 0.05mm	1

REVISIONS			
REV.	DESCRIPTION	DATE	APPROVED
1.0	Initial release	Oct 12, 2021	AC
2.0	Update BL5340PA Module PCB Gerber per Gemtek DFM	Jan 9, 2023	AC

Notes:

- Put the Module in the carrier tape and cover the tape.
- Put the Reel, Desiccant and Humidity Indicator Card in the ESD bag.
- Put the packed ESD bag (vacuum) in the box.
- Put five boxes in the carton. (If less than five reels are purchased, insert empty boxes or cardboard to consume the volume of the carton.)
- Module packaging quantity:
Per Reel: 1000 PCS
Per Carton: 5000PCS

UNLESS OTHERWISE SPECIFIED:
DIMENSIONS ARE IN MILLIMETERS
TOLERANCES
FRACTIONAL: ±.3
DECIMAL: ±.05
HOLE POSITION: ±.05

**UNLESS OTHERWISE NOTED, THIS DOCUMENT CONTAINS LAIRD CONNECTIVITY INFORMATION.
RESISTANCE TO CHANGE IS A POLICY OF LAIRD CONNECTIVITY.
© LAIRD CONNECTIVITY. LAIRD CONNECTIVITY RESERVES ALL RIGHTS IN THIS DOCUMENT.
REPRODUCTION OF THIS DOCUMENT WITHOUT THE WRITTEN PERMISSION OF LAIRD CONNECTIVITY IS PROHIBITED.**

CAD FILE: 453-00076R
DATE: Jan 9, 2023
SHEET 1 OF 1
SCALE: 1:7

TITLE:
Module, BL5340PA, External Antenna, Tape and Reel

SIZE: B
DWG. NO.: 453-00076R
REV: 2.0

Figure 18: BL5340PA carton contents and packaging process

9.2.3 Labeling

M/N:BL5340PA Rev X

P/N:453-000XXR

D/C:SSYYWWD

Q'TY:1000PCS

BOX_ID:BXXXXXYMDXXXXXX

Figure 19: Antistatic bag and box labels

The following package label is located on both sides of the master carton:



Figure 20: Master carton package label

9.3 Reflow Parameters

The Moisture Sensitivity Level (MSL) for this module is MSL 4.

Prior to any reflow, it is important to ensure the modules were packaged to prevent moisture absorption. New packages contain desiccant (to absorb moisture) and a humidity indicator card to display the level maintained during storage and shipment. If directed to *bake units* on the card, see Table 49 and follow instructions specified by IPC/JEDEC J-STD-033. A copy of this standard is available from the JEDEC website: <http://www.jedec.org/sites/default/files/docs/jstd033b01.pdf>

Any modules not manufactured before exceeding their floor life should be re-packaged with fresh desiccant and a new humidity indicator card. Floor life for MSL (Moisture Sensitivity Level) four devices is 72 hours in ambient environment $\leq 30^{\circ}\text{C}/60\%\text{RH}$.

Table 49: Recommended baking times and temperatures

MSL	125 °C Baking Temp.		90 °C/≤ 5%RH Baking Temp.		40 °C/ ≤ 5%RH Baking Temp.	
	Saturated @ 30 °C/85%	Floor Life Limit + 72 hours @ 30 °C/60%	Saturated @ 30 °C/85%	Floor Life Limit + 72 hours @ 30 °C/60%	Saturated @ 30 °C/85%	Floor Life Limit + 72 hours @ 30 °C/60%
4	11 hours	7 hours	37 hours	23 hours	15 days	9 days

Laird Connectivity surface mount modules are designed to be easily manufactured, including reflow soldering to a PCB. Ultimately it is the responsibility of the customer to choose the appropriate solder paste and to ensure oven temperatures during reflow meet the requirements of the solder paste. Laird Connectivity surface mount modules conform to J-STD-020D1 standards for reflow temperatures.

Important: During reflow, modules should not be above 260° and not for more than 30 seconds. In addition, we recommend that the BL5340PA module **does not** go through the reflow process more than one time; otherwise, the BL5340PA internal component soldering may be impacted.

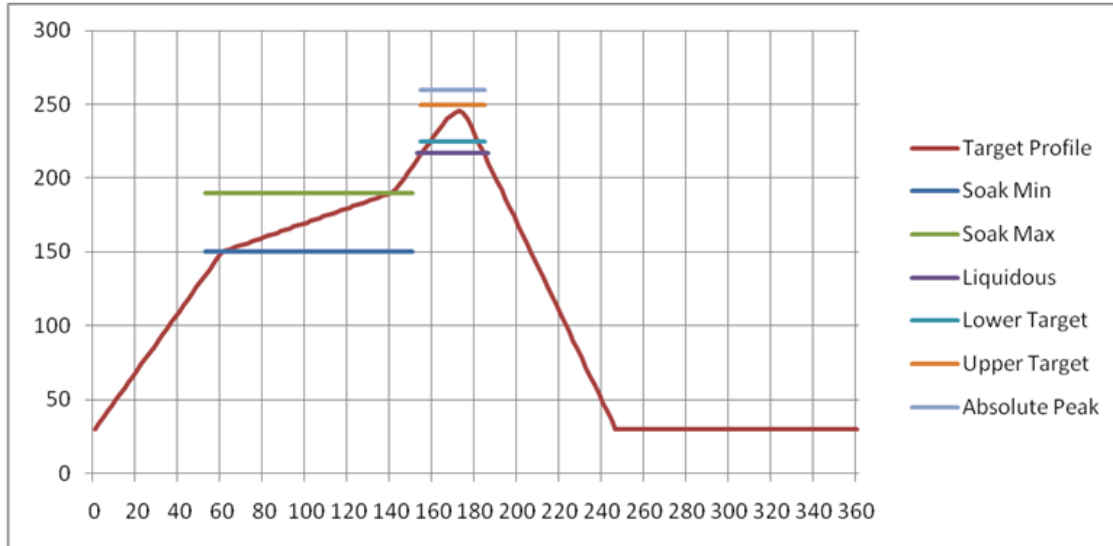


Figure 21: Recommended reflow temperature

Temperatures should not exceed the minimums or maximums presented in [Table 50](#).

Table 50: Recommended maximum and minimum temperatures

Specification	Value	Unit
Temperature Inc./Dec. Rate (max)	1~3	°C / Sec
Temperature Decrease rate (goal)	2-4	°C / Sec
Soak Temp Increase rate (goal)	.5 - 1	°C / Sec
Flux Soak Period (Min)	70	Sec
Flux Soak Period (Max)	120	Sec
Flux Soak Temp (Min)	150	°C
Flux Soak Temp (max)	190	°C
Time Above Liquidous (max)	70	Sec
Time Above Liquidous (min)	50	Sec
Time In Target Reflow Range (goal)	30	Sec
Time At Absolute Peak (max)	5	Sec
Liquidous Temperature (SAC305)	218	°C
Lower Target Reflow Temperature	240	°C
Upper Target Reflow Temperature	250	°C
Absolute Peak Temperature	260	°C

10 REGULATORY

Note: For complete regulatory information, refer to the BL5340PA Regulatory Information document available from the BL5340PA product page.

The BL5340PA holds current certifications in the following countries:

Country/Region	Regulatory ID
USA (FCC)	SQGBL5340PA
Canada (ISED)	3147A-BL5340PA
CE	N/A
UKCA	N/A
Australia	N/A
New Zealand	N/A

10.1 Federal Communication Commission Interference Statement

This equipment has been tested and found to comply with the limits for a Class B digital device, pursuant to Part 15 of the FCC Rules. These limits are designed to provide reasonable protection against harmful interference in a residential installation. This equipment generates, uses and can radiate radio frequency energy and, if not installed and used in accordance with the instructions, may cause harmful interference to radio communications. However, there is no guarantee that interference will not occur in a particular installation. If this equipment does cause harmful interference to radio or television reception, which can be determined by turning the equipment off and on, the user is encouraged to try to correct the interference by one of the following measures:

- Reorient or relocate the receiving antenna.
- Increase the separation between the equipment and receiver.
- Connect the equipment into an outlet on a circuit different from that to which the receiver is connected.
- Consult the dealer or an experienced radio/TV technician for help.

FCC Caution: Any changes or modifications not expressly approved by the party responsible for compliance could void the user's authority to operate this equipment.

This device complies with Part 15 of the FCC Rules. Operation is subject to the following two conditions: (1) This device may not cause harmful interference, and (2) this device must accept any interference received, including interference that may cause undesired operation.

Radiation Exposure Statement:

The product complies with the US portable RF exposure limit set forth for an uncontrolled environment and is safe for intended operation as described in this manual. The further RF exposure reduction can be achieved if the product can be kept as far as possible from the user body or set the device to lower output power if such function is available.

This transmitter must not be co-located or operating in conjunction with any other antenna or transmitter.

Country Code selection feature to be disabled for products marketed to the US/CANADA.

The module is limited to OEM installation only.

Integration instructions for host product manufacturers

Applicable FCC rules to module

FCC Part 15.247

Summarize the specific operational use conditions

The module is must be installed in mobile device.

This device is intended only for OEM integrators under the following conditions:

- 1) The antenna must be installed such that 20 cm is maintained between the antenna and users, and
- 2) The transmitter module may not be co-located with any other transmitter or antenna

As long as 2 conditions above are met, further transmitter test will not be required. However, the OEM integrator is still responsible for testing their end-product for any additional compliance requirements required with this module installed.

IMPORTANT NOTE: In the event that these conditions can not be met (for example certain laptop configurations or co-location with another transmitter), then the FCC authorization is no longer considered valid and the FCC ID can not be used on the final product. In these circumstances, the OEM integrator will be responsible for re-evaluating the end product (including the transmitter) and obtaining a separate FCC authorization. The OEM integrator has to be aware not to provide information to the end user regarding how to install or remove this RF module in the user's manual of the end product which integrates this module.

The end user manual shall include all required regulatory information/warning as show in this manual.

Limited module procedures

Not applicable

Trace antenna designs

Not applicable

RF exposure considerations

Co-located issue shall be met as mentioned in "Summarize the specific operational use conditions". Product manufacturer shall provide below text in end-product manual "Radiation Exposure Statement:

The product comply with the US portable RF exposure limit set forth for an uncontrolled environment and are safe for intended operation as described in this manual. The further RF exposure reduction can be achieved if the product can be kept as far as possible from the user body or set the device to lower output power if such function is available.."

Manufacturer	Model	Laird Connectivity Part Number	Type	Connector	Peak Gain	
					2400-2500 MHz	2400-2480 MHz
Laird Connectivity	NanoBlue	EBL2400A1-10MH4L	PCB Dipole	IPEX MHF4L	2 dBi	-
Laird Connectivity	FlexPIFA	001-0022	PIFA	IPEX MHF4	-	2 dBi
Mag.Layers	EDA-8709-2G4C1-B27-CY	0600-00057	Dipole	IPEX MHF4	2 dBi	-
Laird Connectivity	mFlexPIFA	EFA2400A3S-10MH4L	PIFA	IPEX MHF4L	-	2 dBi
Laird Connectivity	iFlexPIFA	EFG2400A3S-10MH4L	PIFA	IPEX MHF4L	-	3.1 dBi
Laird Connectivity	Laird Connectivity NFC	0600-00061	NFC	N/A	-	-
Laird Connectivity	PCB Trace Antenna	Not applicable (BL5340 PCB Trace Antenna)	PCB	N/A	1.49dBi	

Label and Compliance Information

Product manufacturers need to provide a physical or e-label stating

“Contains FCC ID: SQGBL5340PA” with finished product

Information on Test Modes and Additional Testing Requirements

Test tool: **BL5340PA_radio_test_fem_module_v00.00.03** shall be used to set the module to transmit continuously.

Additional Testing, Part 15 Subpart B Disclaimer

The module is only FCC authorized for the specific rule parts listed on the grant, and that the host product manufacturer is responsible for compliance to any other FCC rules that apply to the host not covered by the modular transmitter grant of certification. The final host product still requires Part 15 Subpart B compliance testing with the modular transmitter installed

10.2 Industry Canada Statement

(1) *This device may not cause interference*

(2) *This device must accept any interference, including interference that may cause undesired operation of the device*

L'émetteur/récepteur exempt de licence contenu dans le présent appareil est conforme aux CNR d'Innovation, Sciences et Développement économique Canada applicables aux appareils radio exempts de licence. L'exploitation est autorisée aux deux conditions suivantes :

(1) L'appareil ne doit pas produire de brouillage;

(2) L'appareil doit accepter tout brouillage radioélectrique subi, même si le brouillage est susceptible d'en compromettre le fonctionnement.

This radio transmitter [IC: 3147A-BL5340PA] has been approved by Innovation, Science and Economic Development Canada to operate with the antenna types listed below, with the maximum permissible gain indicated. Antenna types not included in this list that have a gain greater than the maximum gain indicated for any type listed are strictly prohibited for use with this device.

Le présent émetteur radio [IC: 3147A-BL5340PA] a été approuvé par Innovation, Sciences et Développement économique Canada pour fonctionner avec les types d'antenne énumérés ci-dessous et ayant un gain admissible maximal. Les types d'antenne non inclus dans cette liste, et dont le gain est supérieur au gain maximal indiqué pour tout type figurant sur la liste, sont strictement interdits pour l'exploitation de l'émetteur.

Manufacturer	Model	Laird Connectivity Part Number	Type	Connector	Peak Gain	
					2400-2500 MHz	2400-2480 MHz
Laird Connectivity	NanoBlue	EBL2400A1-10MH4L	PCB Dipole	IPEX MHF4L	2 dBi	-
Laird Connectivity	FlexPIFA	001-0022	PIFA	IPEX MHF4	-	2 dBi
Mag.Layers	EDA-8709-2G4C1-B27-CY	0600-00057	Dipole	IPEX MHF4	2 dBi	-
Laird Connectivity	mFlexPIFA	EFA2400A3S-10MH4L	PIFA	IPEX MHF4L	-	2 dBi
Laird Connectivity	iFlexPIFA	EFG2400A3S-10MH4L	PIFA	IPEX MHF4L	-	3.1 dBi
Laird Connectivity	Laird Connectivity NFC	0600-00061	NFC	N/A	-	-
Laird Connectivity	PCB Trace Antenna	Not applicable (BL5340 PCB Trace Antenna)	PCB	N/A	1.49dBi	

Radiation Exposure Statement:

The product comply with the Canada portable RF exposure limit set forth for an uncontrolled environment and are safe for intended operation as described in this manual. The further RF exposure reduction can be achieved if the product can be kept as far as possible from the user body or set the device to lower output power if such function is available.

Déclaration d'exposition aux radiations:

Le produit est conforme aux limites d'exposition pour les appareils portables RF pour les Etats-Unis et le Canada établies pour un environnement non contrôlé. Le produit est sûr pour un fonctionnement tel que décrit dans ce manuel. La réduction aux expositions RF peut être augmentée si l'appareil peut être conservé aussi loin que possible du corps de l'utilisateur ou que le dispositif est réglé sur la puissance de sortie la plus faible si une telle fonction est disponible.

1) The transmitter module may not be co-located with any other transmitter or antenna.

As long as 1 condition above are met, further transmitter test will not be required. However, the OEM integrator is still responsible for testing their end-product for any additional compliance requirements required with this module installed.

1) Le module émetteur peut ne pas être coïmplanté avec un autre émetteur ou antenne.

Tant que les 1 condition ci-dessus sont remplies, des essais supplémentaires sur l'émetteur ne seront pas nécessaires. Toutefois, l'intégrateur OEM est toujours responsable des essais sur son produit final pour toutes exigences de conformité supplémentaires requis pour ce module installé.

IMPORTANT NOTE:

In the event that these conditions can not be met (for example certain laptop configurations or co-location with another transmitter), then the Canada authorization is no longer considered valid and the IC ID can not be used on the final product. In these circumstances, the OEM integrator will be responsible for re-evaluating the end product (including the transmitter) and obtaining a separate Canada authorization.

NOTE IMPORTANTE:

Dans le cas où ces conditions ne peuvent être satisfaites (par exemple pour certaines configurations d'ordinateur portable ou de certaines co-localisation avec un autre émetteur), l'autorisation du Canada n'est plus considéré comme valide et l'ID IC ne peut pas être utilisé sur le produit final. Dans ces circonstances, l'intégrateur OEM sera chargé de réévaluer le produit final (y compris l'émetteur) et l'obtention d'une autorisation distincte au Canada.

End Product Labeling

The final end product must be labeled in a visible area with the following: "Contains IC: 3147A-BL5340PA".

Plaque signalétique du produit final

Le produit final doit être étiqueté dans un endroit visible avec l'inscription suivante: "Contient des IC: 3147A-BL5340PA".

Manual Information To the End User

The OEM integrator has to be aware not to provide information to the end user regarding how to install or remove this RF module in the user's manual of the end product which integrates this module.

The end user manual shall include all required regulatory information/warning as show in this manual.

Manuel d'information à l'utilisateur final

L'intégrateur OEM doit être conscient de ne pas fournir des informations à l'utilisateur final quant à la façon d'installer ou de supprimer ce module RF dans le manuel de l'utilisateur du produit final qui intègre ce module.

Le manuel de l'utilisateur final doit inclure toutes les informations réglementaires requises et avertissements comme indiqué dans ce manuel.

11 ORDERING INFORMATION

Part Number	Product Description
453-00068R	BL5340PA series - Multi-Core / Protocol - Bluetooth® + 802.15.4 + NFC Module (Nordic nRF5340) – Integrated antenna (Tape/Reel)
453-00076R	BL5340PA series - Multi-Core / Protocol - Bluetooth® + 802.15.4 + NFC Module (Nordic nRF5340) – MHF4 RF receptacle connector (Tape/Reel)
453-00068C	BL5340PA series - Multi-Core / Protocol - Bluetooth® + 802.15.4 + NFC Module (Nordic nRF5340) – Integrated antenna (Cut Tape)
453-00076C	BL5340PA series - Multi-Core / Protocol - Bluetooth® + 802.15.4 + NFC Module (Nordic nRF5340) – MHF4 RF receptacle connector (Cut Tape)
453-00068-K1	Development kit for BL5340PA Multi-Core / Protocol - Bluetooth® + 802.15.4 + NFC Module (Nordic nRF5340) – Integrated antenna
453-00076-K1	Development kit for BL5340PA Multi-Core / Protocol - Bluetooth® + 802.15.4 + NFC Module (Nordic nRF5340) - MHF4 RF receptacle connector (Ext antenna)

12 BLUETOOTH SIG QUALIFICATION

12.1 Overview

The BL5340PA module is listed on the Bluetooth SIG website as a qualified End Product, using the combination of a Controller and Host Subsystem combination

Design Name	Owner	Declaration ID	Reference QDID	Link to listing on the SIG website
BL5340PA	Laird Connectivity	D050381	157450 170219	https://launchstudio.bluetooth.com/ListingDetails/133809

12.1.1 Referenced Qualified Subsystems

Design Name	Owner	Reference QDID	Link to listing on the SIG website
LE Controller Subsystem	Nordic Semiconductor ASA	170219	https://launchstudio.bluetooth.com/ListingDetails/131859
nRF Connect SDK Host Subsystem	Nordic Semiconductor ASA	157450	https://launchstudio.bluetooth.com/ListingDetails/116783

It is a mandatory requirement of the Bluetooth Special Interest Group (SIG) that every product implementing Bluetooth technology has a Declaration ID. Every Bluetooth design is required to go through the qualification process, even when referencing a Bluetooth Design that already has its own Declaration ID. The Qualification Process requires each company to register as a member of the Bluetooth SIG – <https://www.bluetooth.com/>

The following link provides a link to the Bluetooth Registration page: <https://www.bluetooth.org/login/register/>

For each Bluetooth Design, it is necessary to purchase a Declaration ID. This can be done before starting the new qualification, either through invoicing or credit card payment. The fees for the Declaration ID will depend on your membership status, please refer to the following webpage:

<https://www.bluetooth.com/develop-with-bluetooth/qualification-listing/qualification-listing-fees/>

For a detailed procedure of how to obtain a new Declaration ID for your design, please refer to the following SIG document:

https://www.bluetooth.org/DocMan/handlers/DownloadDoc.ashx?doc_id=283698&vld=317486

12.2 Qualification Steps When Referencing Qualified Subsystems

For this qualification, follow these steps:

- To start a listing, go to: https://www.bluetooth.org/tpg/QLI_SDoc.cfm
- Select **Start the Bluetooth Qualification Process with No Required Testing**.
- Project Basics:
 - Enter the Project Name (this can be the product name or the Bluetooth Design name).
 - For Referenced Qualified Designs, enter QDID 157450 and 170219
- Product Declaration:
 - Enter the Listing Date (this can any date ranging from the date of entry up to 90 days after submission) – Your design is qualified immediately but the listing does not go public until the specified date.
- Add End Product(s) – Each end product that uses the Qualified Design (without modification) can be added in this section. The Bluetooth SIG requires that you add each individual model number separately.
- Declaration ID:
 - Select a Declaration ID from the list.

Important! To complete this step, you must have already paid your Bluetooth SIG Declaration ID fee. If you have not, refer to the Bluetooth SIG Qualification Overview section for instructions. You also have the option of clicking **Pay Declaration Fee** accessible from this step of the Bluetooth SIG Qualification process.

7. Review and Submit – With this, some automatic checks occur to ensure all sections are complete.
 - Review all entered information and make corrections, if needed.
 - Once you have reviewed your information, tick all of the check boxes and add your name to the signature page.
 - Click **Signature Confirmed – Complete Project & Submit Product(s) for Qualification**.

For further information, please refer to the following webpage:
<https://www.bluetooth.com/develop-with-bluetooth/qualification-listing/>

13 RELIABILITY TESTS

The BL5340PA module went through the below reliability tests and passed.

Test Sequence	Test Item	Test Limits and Pass	Test Conditions	
1	Vibration Test	JESD22-B103B Vibration, Variable frequency	Sample	Unpowered
			Sample Number	3
			Vibration Waveform	Sine waveform
			Vibration Frequency/Displacement	20 to 80 Hz/20 g
			Vibration Frequency/Acceleration	80 to 2000 Hz/20 g
			Cycle Time	4 minutes
			Number of Cycles	4 cycles per axis
			Vibration Axis	X, Y, and Z (rotating each axis on vertical vibration table)
2	Mechanical Shock	JESD22-B104C	Sample	Unpowered
			Sample Number	3
			Pulse Shape	Half-sine waveform
			Impact Acceleration	1500 g
			Pulse Duration	0.5 ms
			Number of Shocks	30 shocks (5 shocks for each face)
			Orientation	Bottom, top, left, right, front, and rear faces
3	Thermal Shock	JESD22-A104E Temperature cycling	Sample	Unpowered
			Sample Number	3
			Temperature Transition Time	Less than 30 seconds
			Temperature Cycle	-40°C (10 minutes), +105°C (10 minutes)
			Number of Cycles	350

Before and after the testing, visual inspection showed no physical defect on samples.

After Vibration test and Mechanical Shock testing, the samples were functionally tested, and all samples functioned as normal. Then after Thermal shock test, the samples were functionally tested, and all samples functioned as normal.

14 ADDITIONAL INFORMATION

Please contact your local sales representative or our support team for further assistance:

Headquarters	Laird Connectivity 50 S. Main St. Suite 1100 Akron, OH 44308 USA
Phone	Americas: +1-800-492-2320 Europe: +44-1628-858-940 Hong Kong: +852-2762-4823
Website	www.lairdconnect.com/
Technical Support	www.lairdconnect.com/resources/support
Sales Contact	www.lairdconnect.com/contact

Note: Information contained in this document is subject to change.

Laird Connectivity's products are subject to standard [Terms & Conditions](#).

sales@lairdconnect.com
support@lairdconnect.com
www.lairdconnect.com

© Copyright 2023 Laird Connectivity. All Rights Reserved. Patent pending. Any information furnished by Laird Connectivity and its agents is believed to be accurate and reliable. All specifications are subject to change without notice. Responsibility for the use and application of Laird Connectivity materials or products rests with the end user since Laird Connectivity and its agents cannot be aware of all potential uses. Laird Connectivity makes no warranties as to non-infringement nor as to the fitness, merchantability, or sustainability of any Laird Connectivity materials or products for any specific or general uses. Laird Connectivity or any of its affiliates or agents shall not be liable for incidental or consequential damages of any kind. All Laird Connectivity products are sold pursuant to the Laird Connectivity Terms and Conditions of Sale in effect from time to time, a copy of which will be furnished upon request. Nothing herein provides a license under any Laird Connectivity or any third-party intellectual property right.