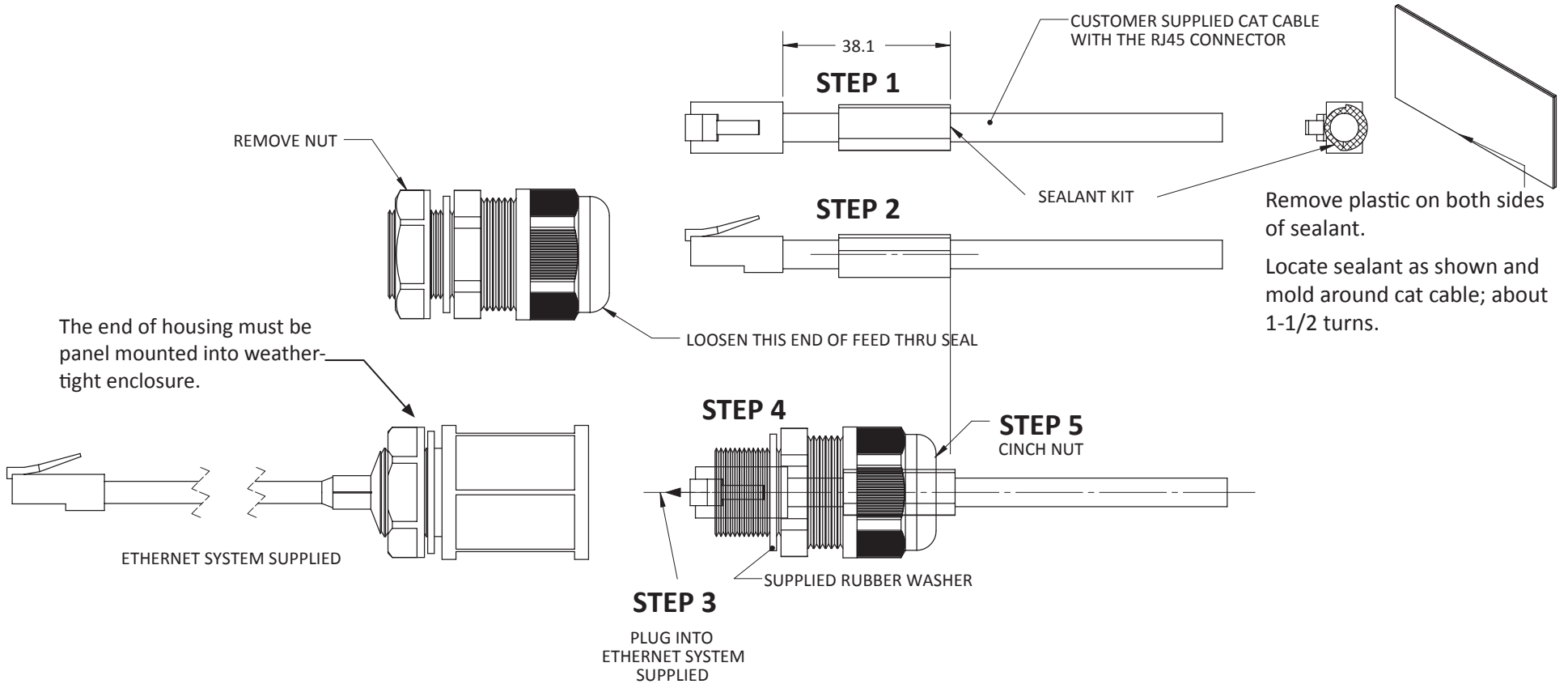




Smart Technology. Delivered.

Installation Instructions RJ45



STEPS

1. Apply sealant
2. Slide cable thru fitting
3. Mate plug and jack inside ethernet system
4. Fully seat supplied feed thru to ethernet system
5. Tighten cinch nut only if sealant is in proper location

Americas: +1.847.839.6907
IAS-AmericasEastSales@lairdtech.com

Europe: +1.32.80.7866.12
IAS-EUSales@lairdtech.com

Asia: +1.65.6.243.8022
IAS-AsiaSales@lairdtech.com

www.lairdtech.com

164-00027_AB