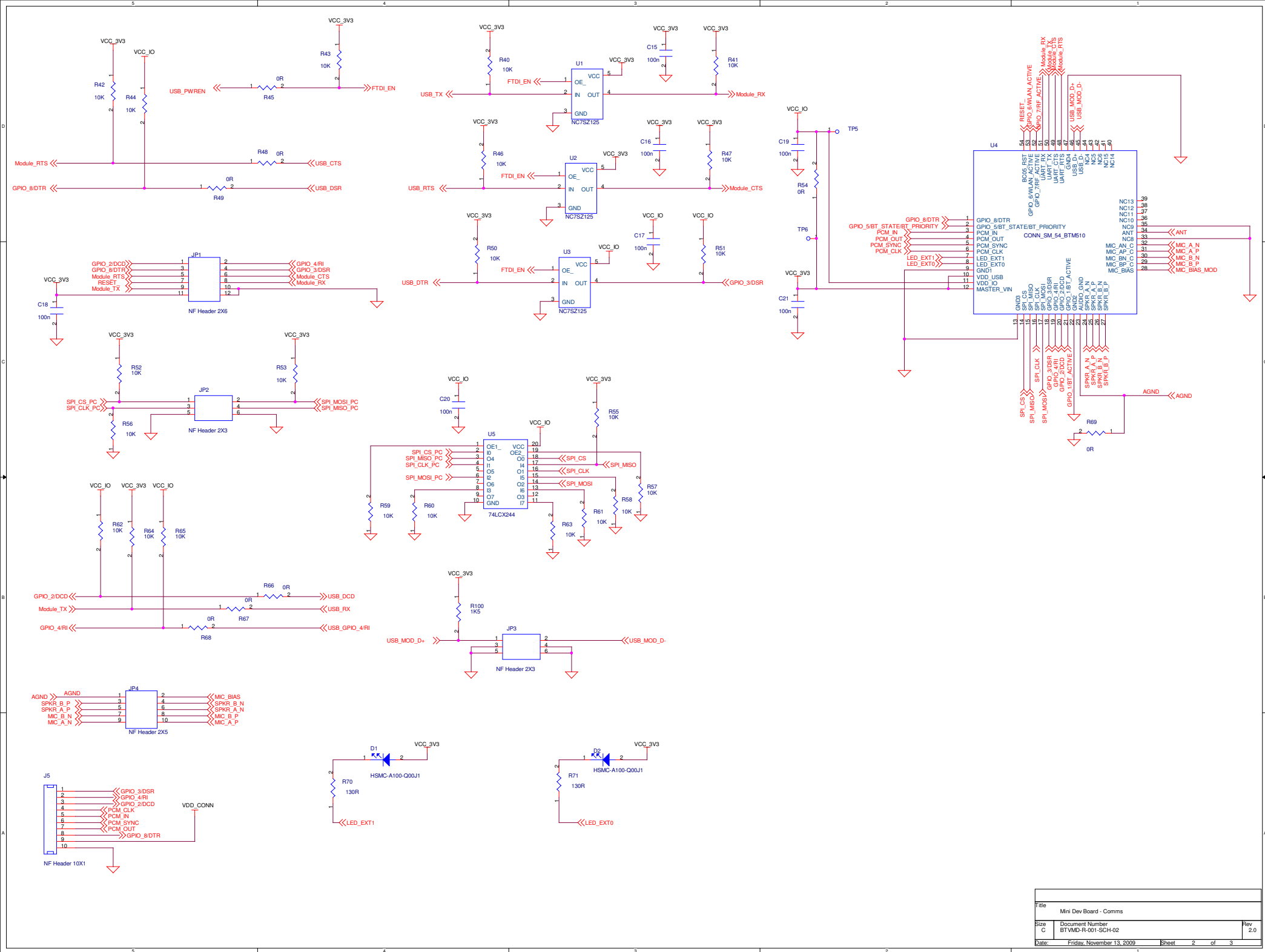
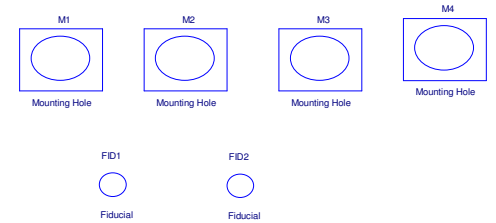
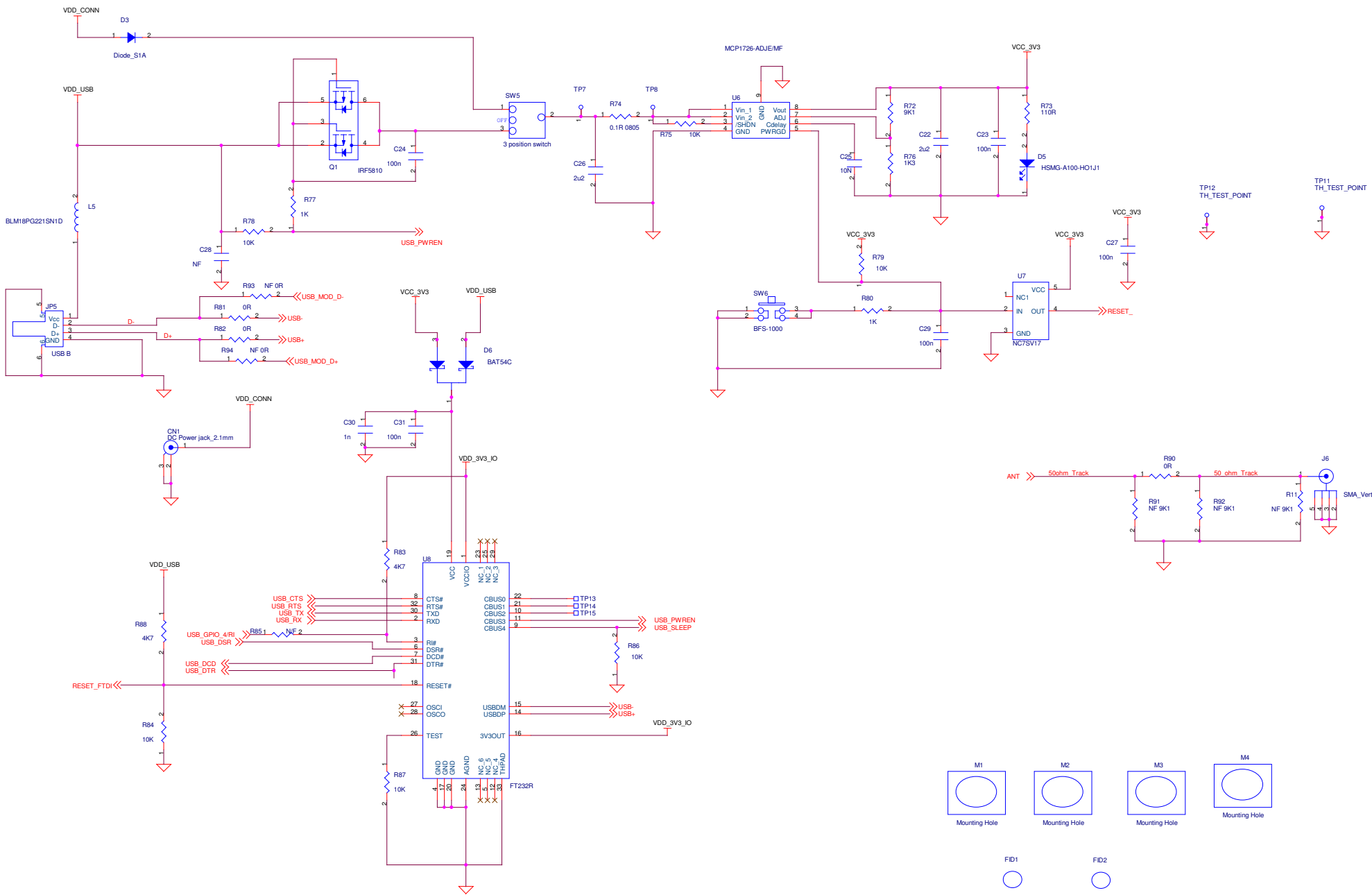


Note1. to use microphone on J2: fit OR position R31, R39, DNF OR R32. R22 is in parallel with R36, to decrease MIC impedance fit R22 e.g. 2K2.

File		
Mini Dev Board - Comms		
Size	Document Number	Rev
C	BT WMD-R-001-SC4-02	2.0
Date:	Friday, November 13, 2009	Sheet 1 of 3



File		
Mini Dev Board - Comms		
Size	Document Number	Rev
C	BTWMD-R-001-SC4-02	2.0
Date:	Friday, November 13, 2009	Sheet 2 of 3



Title			Mini_Dev_Power_Supplies
Size	Document Number	BTVM-D-R-001-SCH-02	
C			Rev 2.0
Date:	Friday, November 13, 2009	Sheet	3 of 3