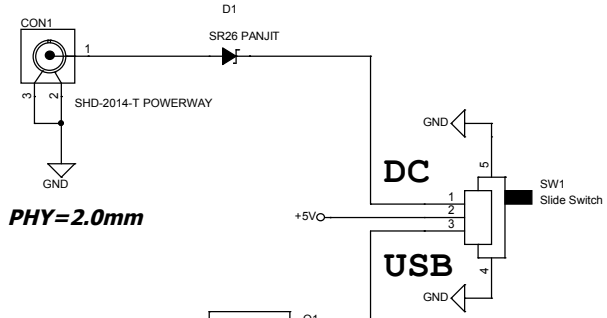


DATE	REVISION NUMBER	INITIALS	Initial Release
9/25/2012	V03	Andrew Chen	Initial draft
11/28/2012	V04	Andrew Chen	correct : R8 from 100K to 10K; Modify R64/R65 from 1 ohm to 0.51 ohm Correct the audio jack symbol and the Left&Right connection Change U2/U6 to up0111 Change EXT0/EXT1 to LED0/LED1

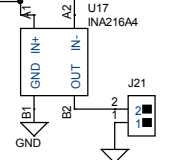
DC 5V



$V_{out} = 0.8 * [1 + (R1/R2)]$

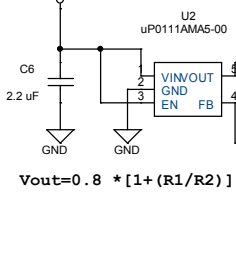
$I = V / 200 / 0.255 \text{ A}$

AUDIO-AMP
VCC_3V3_AUDIO



BT_VCC

1.8V/3.3V

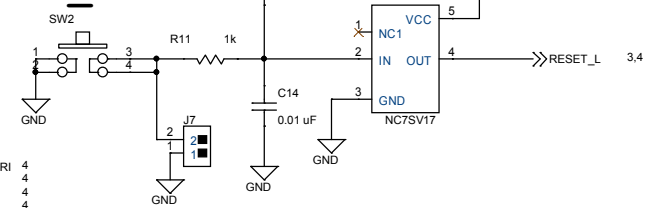


$V_{out} = 0.8 * [1 + (R1/R2)]$

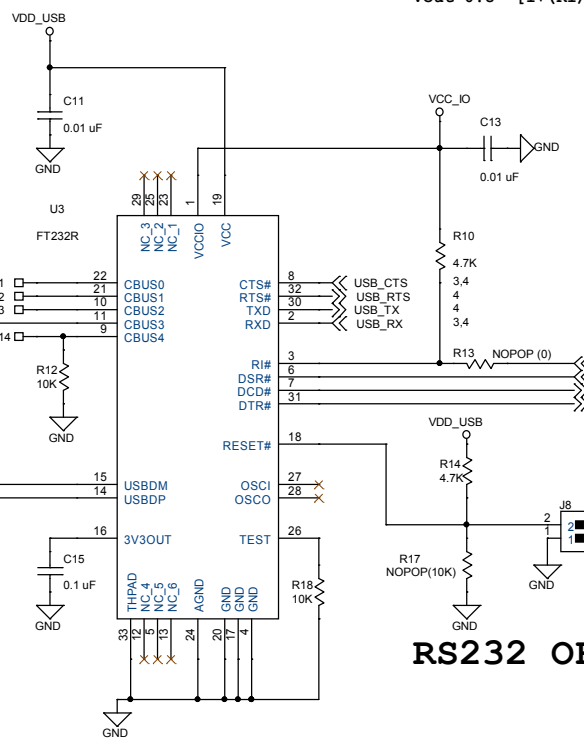
VCC_I/O SELECTION

Default: PIN 2-3 :ON

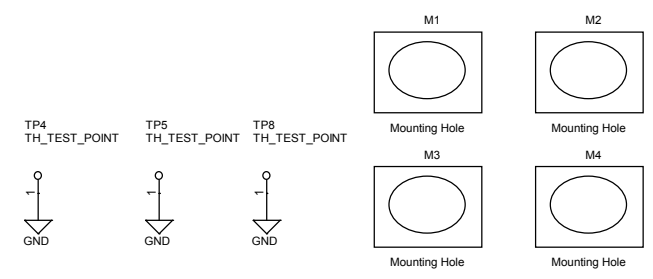
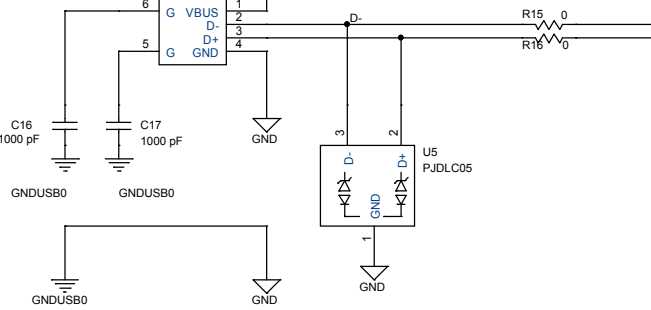
BT RESET



RS232 OFF

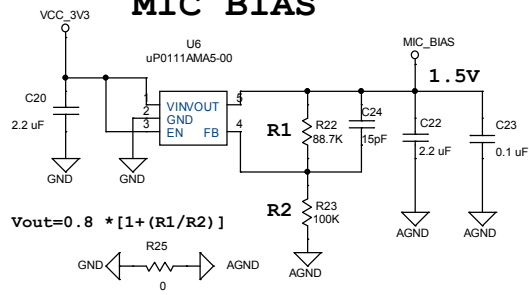


CON2 USB CONNECTOR B-TYPE

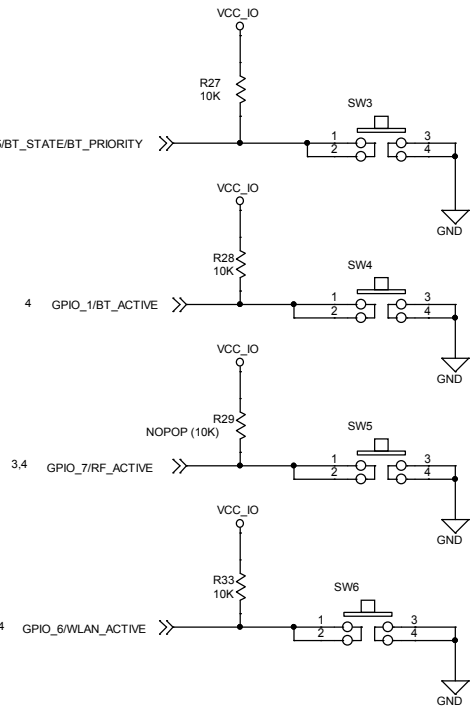


SUMMIT		526 South Main Street Suite 805 Akron, Ohio 44311	
BTM511-DVK-V04			
Size A3	Document Number <Doc>	Rev 04	
Date: Wednesday, December 05, 2012		Sheet	2 of 4

MIC BIAS



$$V_{out} = 0.8 * [1 + (R1/R2)]$$

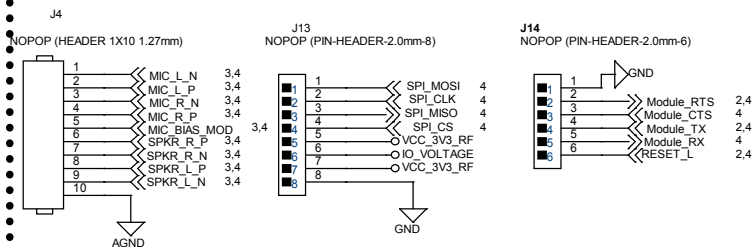


DIFF Line
DIFF_IN

Stereo
Line_IN

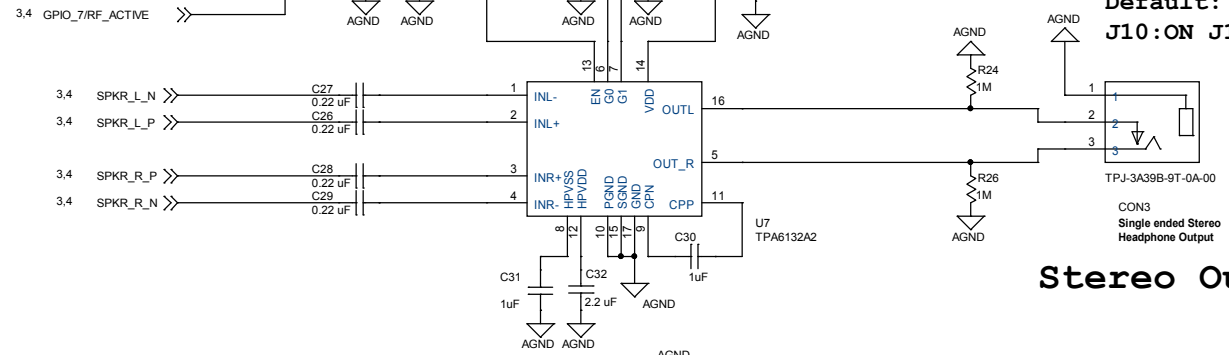
Mono
MIC_IN

Used For Test Fixture



J10/J11 Amp. Gain control

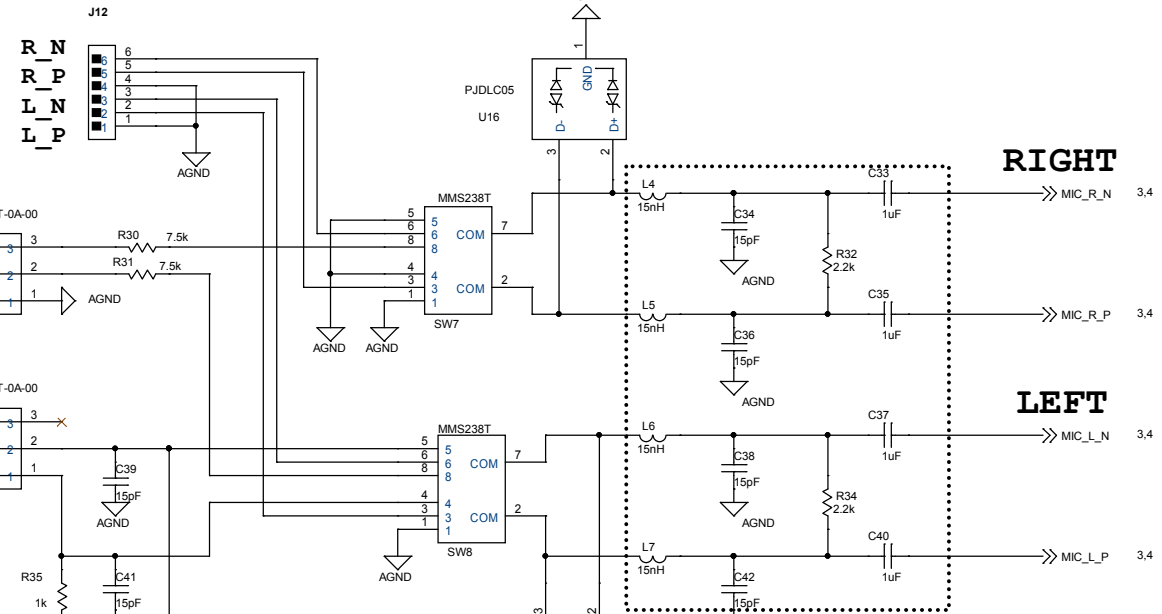
J9 Default:
PIN 1-2 :ON



GAIN	J10	J11	RMS /mV
6dB	-	-	583
3dB	-	V	409
0dB	V	-	292
-6dB	V	V	146

Default: 0 dB
J10:ON J11:-

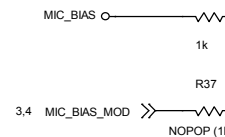
Stereo Out



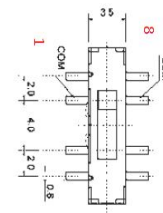
RIGHT

LEFT

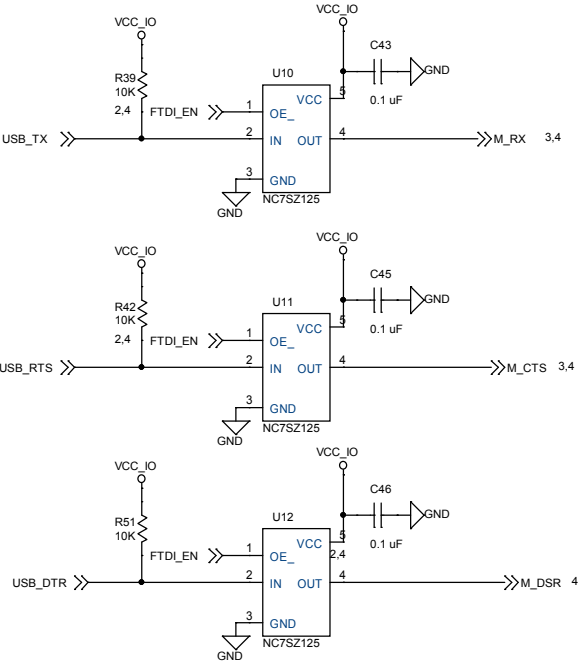
Place close to
BTM511 module



LINE
DIFF
MIC



		526 South Main Street Suite 805 Akron, Ohio 44311	
		BTM511-DVK-V04	
Size A3	Document Number <Doc>	Date: Wednesday, December 05, 2012	Sheet 3 of 4
		Rev 04	



FTDI (USB to TTL 232 CABLE)

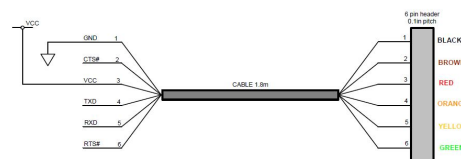
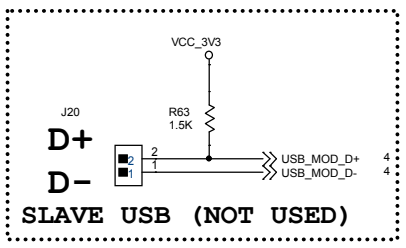
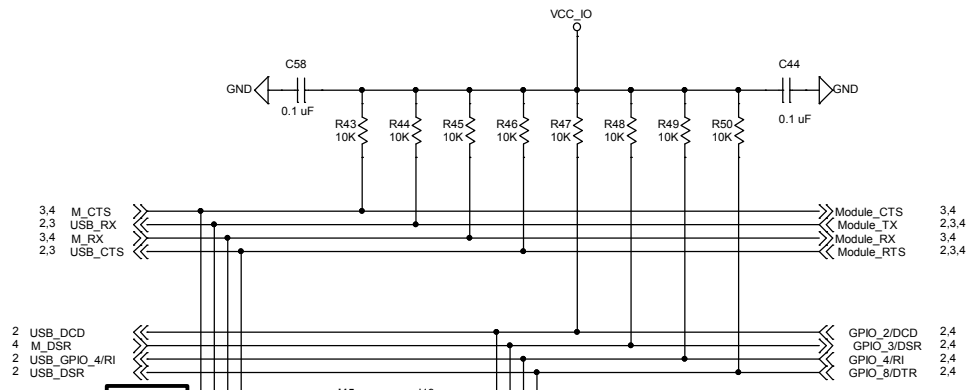
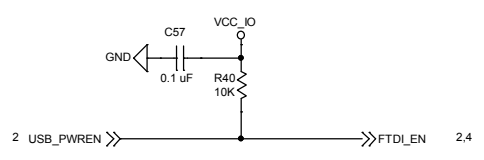
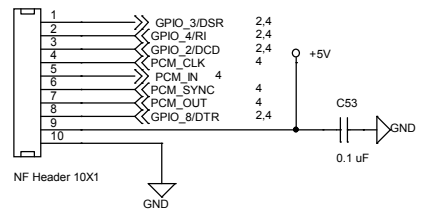


Figure 4.1 TTL-232R-5V and TTL-232R-3V3, 6 Way Header Pin Out

- GND
- CTS
- VCC
- TXD
- RXD
- RTS

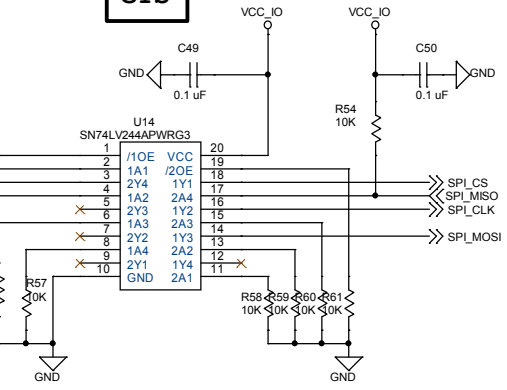


PCM & I2S

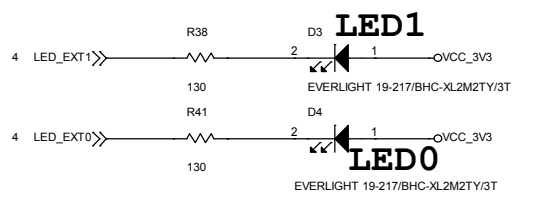
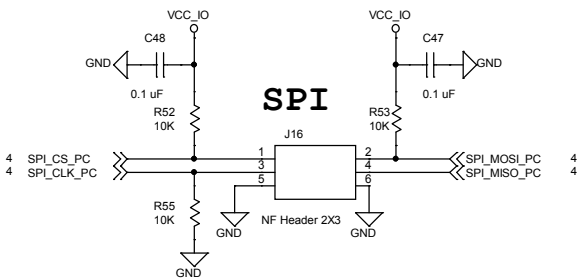


- GND
- RTS
- NC
- RXD
- TXD
- CTS

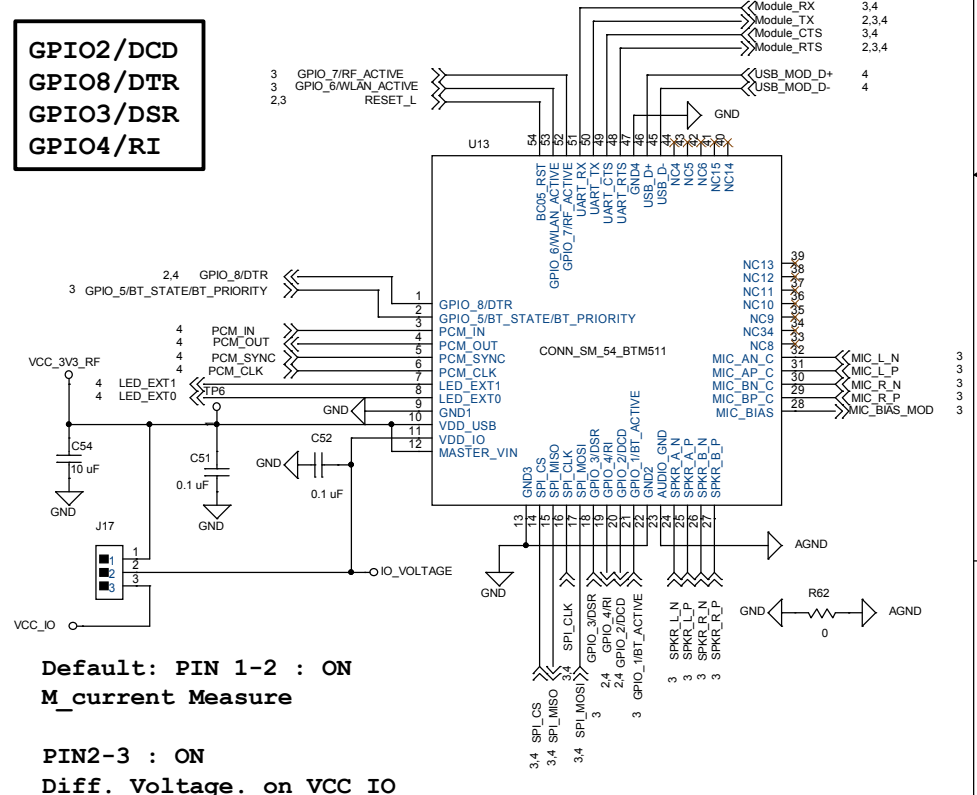
- GPIO2/DCCD
- GPIO8/DTR
- GPIO3/DSR
- GPIO4/RI



SPI



BTM511 module



Default: PIN 1-2 : ON
M_current Measure

PIN2-3 : ON
Diff. Voltage. on VCC_IO

SUMMIT
526 South Main Street
Suite 805
Akron, Ohio 44311

File: **BTM511-DVK-V04**

Size: A3	Document Number: <Doc>	Rev: 04
Date: Wednesday, December 05, 2012	Sheet: 4	of 4