

6

5

4

3

2

1

D

C

B

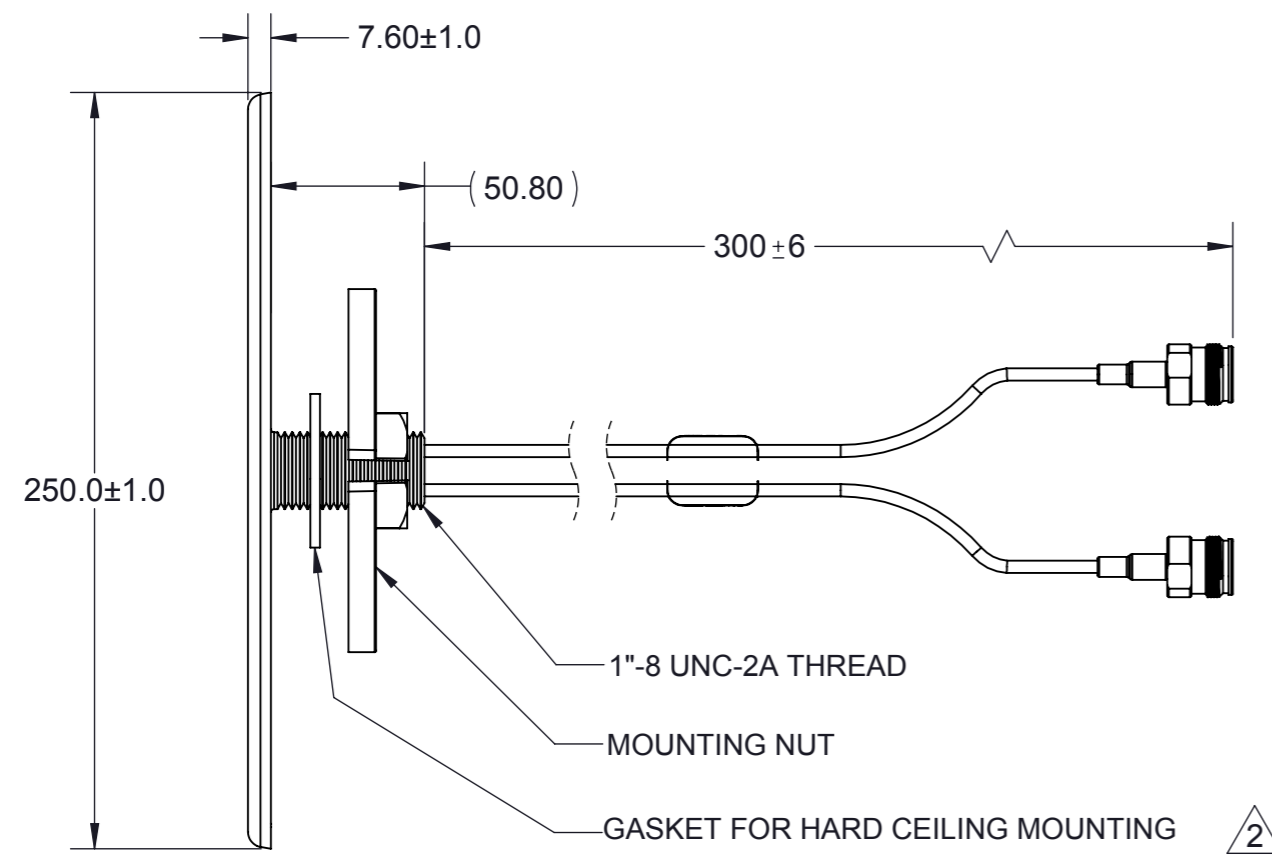
A

D

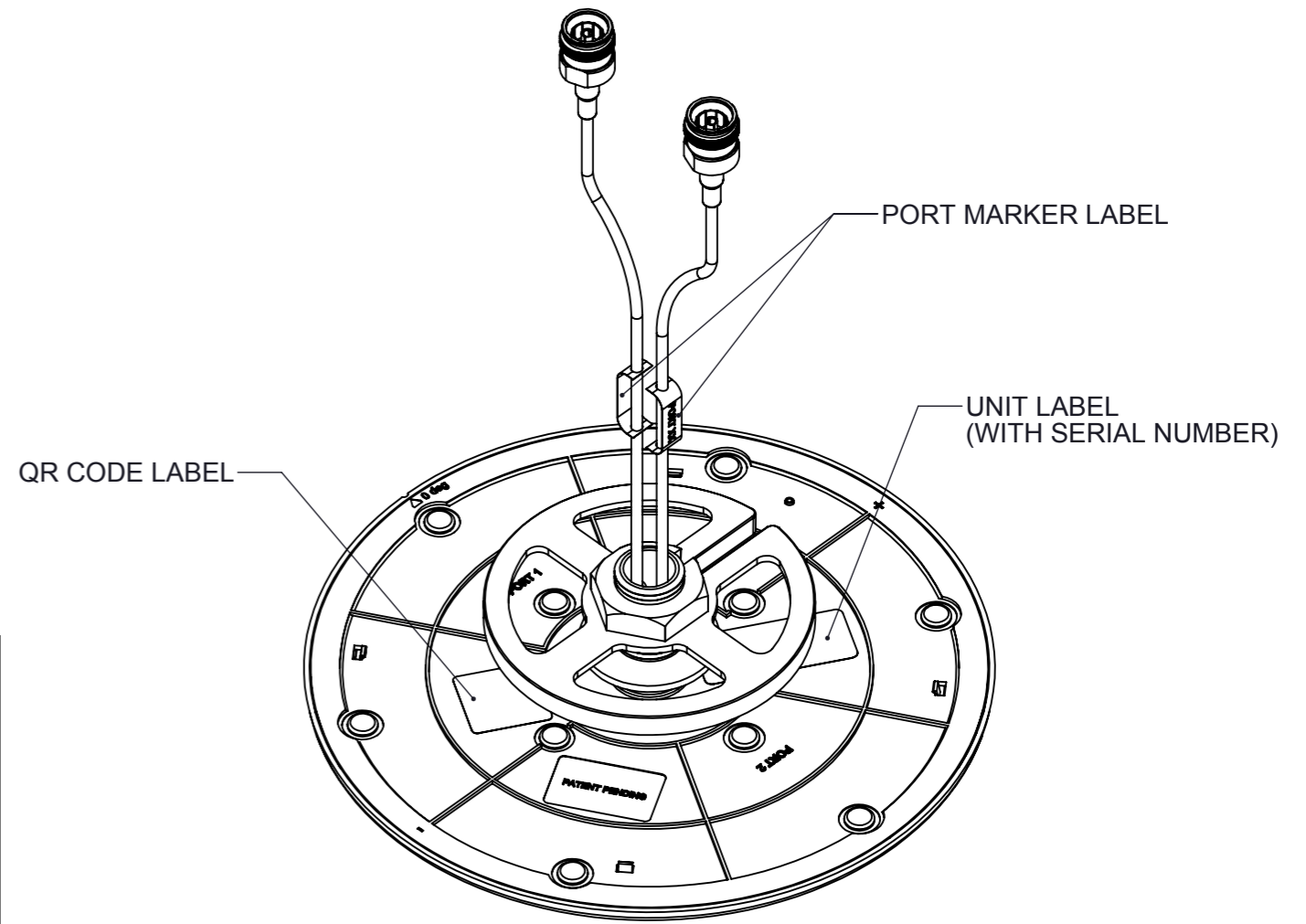
C

B

A



REVISIONS					
REV.	ECN#	ZONE	DESCRIPTION	CHANGED BY/DATE	APPROVED BY/DATE
1			INITIAL RELEASED	YS TAN 23MAY17	WT NG 23MAY17
2			ADD IN GASKET; REVISED SPECIFICATION TABLE	YS TAN 05JUN17	WT NG 05JUN17
F01			PRODUCTION RELEASED; REVISED SPECIFICATION TABLE	YS TAN 04AUG17	WT NG 04AUG17
F02	ECN-IAS-06336		REVISED PEAK GAIN FOR 2300-2500MHz FREQ. BAND; REVISED ISOLATION FOR 698-960MHz FREQ. BAND	YS TAN 10AUG17	WT NG 10AUG17



F02

PARAMETER	SPECIFICATION										
Part No	CFD69383P-30D43F										
Ports	2										
Frequency Bands, MHz	698-806	824-894	880-960	1350-1550	1690-1880	1850-1990	1910-2180	2300-2500	2500-2700	3300-4000	
Peak Gain, dBi (Max)	3.8	3.7	4.2	5.0	4.7	4.3	6.0	5.0	5.7	5.4	
VSWR, Max	< 1.5:1		< 2.0:1		< 1.8:1			< 2.0:1			
PIM, 3rd Order, 2 x 20W (Max), dBc	< -150				< -150						
Isolation, dB (Min)	> 18		> 13		> 15			> 25	> 28	> 25	
Nominal Impedance, Ω	50										
Polarization	Linear - Horizontal										
Azimuth Beam Width, °	360, Omnidirectional										
Max Power (Ambient 25°C/77°F), Watt	50										
Cable Length, cm/Connector	30/ 4.3-10, Female										
Antenna Dimension (Ht x Dia), mm	7.6 x 250										
Weight (Approximation), g	440										
Antenna Color	White										
Radome	PC, UL94-V0										
Operating Temperature, °C	-30 to +70										
Storage Temperature, °C	-40 to +85										
RoHS Compliance	YES										

UNLESS OTHERWISE NOTED, THIS DOCUMENT CONTAINS LAIRD CONFIDENTIAL INFORMATION. REPRODUCTION, USE, DISCLOSURE OR TRANSMITTAL OF ALL OR ANY PART OF THIS DOCUMENT IS PROHIBITED EXCEPT TO THE EXTENT APPROVED IN WRITING BY AN AUTHORIZED REPRESENTATIVE OF LAIRD. LAIRD RESERVES ALL RIGHTS UNDER PATENTS, TRADEMARKS, COPYRIGHTS AND TRADE SECRETS. COPYRIGHT, LAIRD 2017, ALL RIGHTS RESERVED.

MATERIAL: N/A		THIRD ANGLE PROJECTION		 IAS, PENANG MALAYSIA	
FINISH: N/A		DO NOT SCALE DRAWING			
APPROVALS		DATE		TITLE:	
DRAWN BY	YS TAN	03APRL17		CFD69383P-30D43F	
ELEC. ENG.	CC SU	03APRL17		MOUNTING & OUTLINE	
MECH. ENG.	YS TAN	03APRL17		SIZE	
MFG./OPS.	HE KHOR	03APRL17		A3	
				DWG. NO.	
				CFD69383P-30D43FMO	
				REV	
				F02	
				SCALE: 2:5	
				PREVIOUS#	
				SHEET 1 OF 1	

6

5

4

3

2

1